

UNDERCOUNTER SINK K-3180

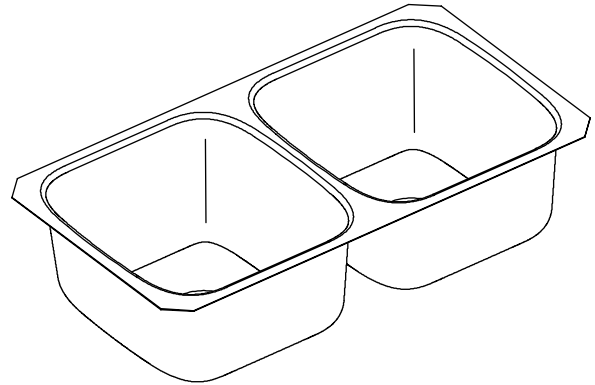
Features

- 18-gauge stainless steel
- Undercounter
- Double (equal) compartment
- Includes installation hardware
- 7-5/8" (19.4 cm) deep basins
- 28-3/4" (73 cm) x 15" (38.1 cm)

Codes/Standards Applicable

Specified model meets or exceeds the following:

- ASME A112.19.3/CSA B45.4



Colors/Finishes

- NA: None applicable

Accessories

- CP: Polished Chrome
- ST: Stainless Steel
- NA: None applicable
- Other: Refer to Price Book for additional colors/finishes

Specified Model

Model	Description	Colors/Finishes
K-3180	Undercounter sink	<input type="checkbox"/> NA

Optional Accessories					
K-3119	Hardwood cutting board (for either basin)	<input type="checkbox"/> NA			
K-3129	Stainless steel bottom basin rack (for either basin)		<input type="checkbox"/> ST		
K-8801	Duostrainer® sink strainer			<input type="checkbox"/> CP	<input type="checkbox"/> Other_____
K-8813	Stainless steel sink strainer with tailpiece			<input type="checkbox"/> CP	
K-8814	Stainless steel sink strainer less tailpiece			<input type="checkbox"/> CP	

Product Specification

The undercounter sink shall be 28-3/4" (73 cm) in length and 15" (38.1 cm) in width, with 7-5/8" (19.4 cm) deep basins. Sink shall be made of 18 gauge stainless steel. Sink shall be double (equal) compartment. Sink shall include installation hardware. Sink shall be Kohler Model K-3180.

UNDERTONE®

Technical Information

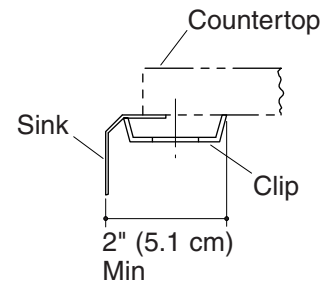
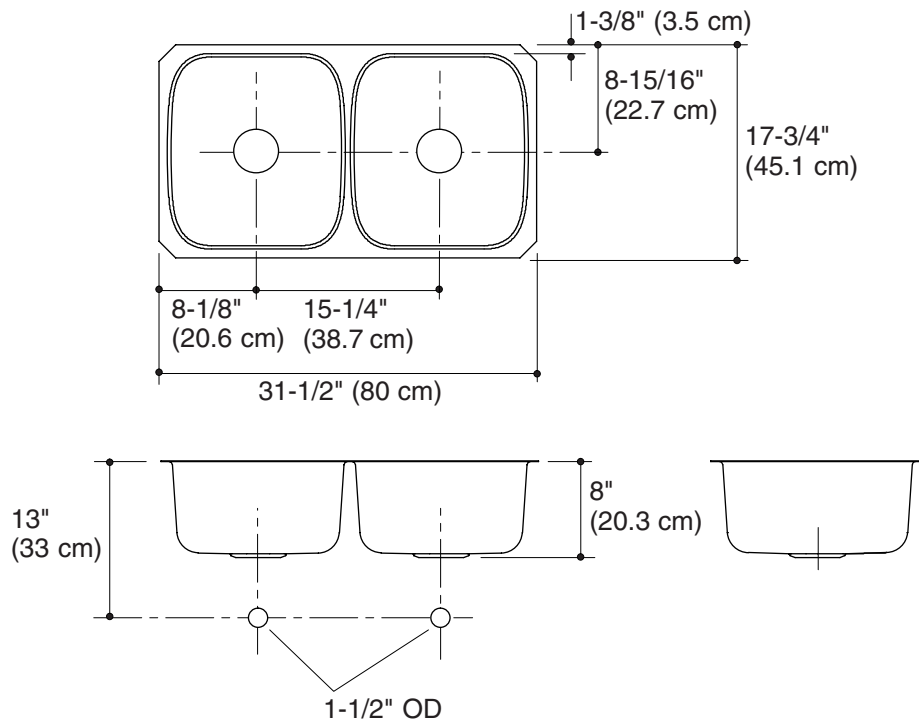
Fixture*:	
Basin area	14-1/2" (36.8 cm) x 15-3/4" (40 cm)
Water depth	7-5/8" (19.4 cm)
Drain holes	3-5/8" (9.2 cm) D.
*Approximate measurements for comparison only.	

Included components:	
Hardware kit	91915
Cut-out template	1016732-7

Installation Notes

Install this product according to the installation guide.

Allow a minimum of 2" (5.1 cm) minimum clearance around the sink rim for clip attachment.



Product Diagram