

COUNTERTOP LAVATORY K-2329

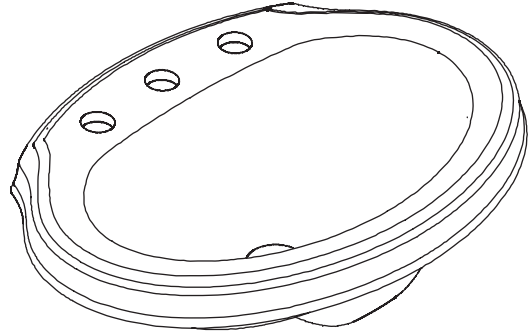
Features

- Vitreous china
- Self-rimming
- 8" (20.3 cm) centers (-8), 4" (10.2 cm) centers (-4), or single-hole (-1)
- With overflow
- 24" (61 cm) x 18-1/8" (46 cm)

Codes/Standards Applicable

Specified model meets or exceeds the following:

- ASME A112.19.2/CSA B45.1



Colors/Finishes

- 0: White
- Other: Refer to Price Book for additional colors/finishes

Accessories:

- CP: Polished Chrome
- Other: Refer to Price Book for additional colors/finishes

Specified Model

Model	Description	Colors/Finishes	
K-2329-8	8" (20.3 cm) centers lavatory	<input type="checkbox"/> 0	<input type="checkbox"/> Other_____
K-2329-4	4" (10.2 cm) centers lavatory	<input type="checkbox"/> 0	<input type="checkbox"/> Other_____
K-2329-1	Single-hole lavatory	<input type="checkbox"/> 0	<input type="checkbox"/> Other_____
Recommended Accessories			
K-8998	Trap	<input type="checkbox"/> CP	<input type="checkbox"/> Other_____

Product Specification

The self-rimming lavatory shall be 24" (61 cm) in length, 18-1/8" (46 cm) in width. Lavatory shall be made of vitreous china. Lavatory shall have 8" (20.3 cm) centers (-8), 4" (10.2 cm) centers (-4), or single-hole (-1) drilling. Lavatory shall have overflow. Lavatory shall be Kohler Model K-_____ -_____.

Technical Information

Fixture*:		basin area	water depth
Lavatory		19-1/4" (48.9 cm) x 11-5/8" (29.5 cm)	4-5/8" (11.7 cm)
Outlet	1-3/4" D. (4.4 cm)		
Holes	K-2329-8	K-2329-4	K-2329-1
Spout	1-3/16" D. (3 cm)	1-3/16" D. (3 cm)	1-3/8" D. (3.5 cm)
Faucet	1-3/8" D. (3.5 cm)	1-3/16" D. (3 cm)	

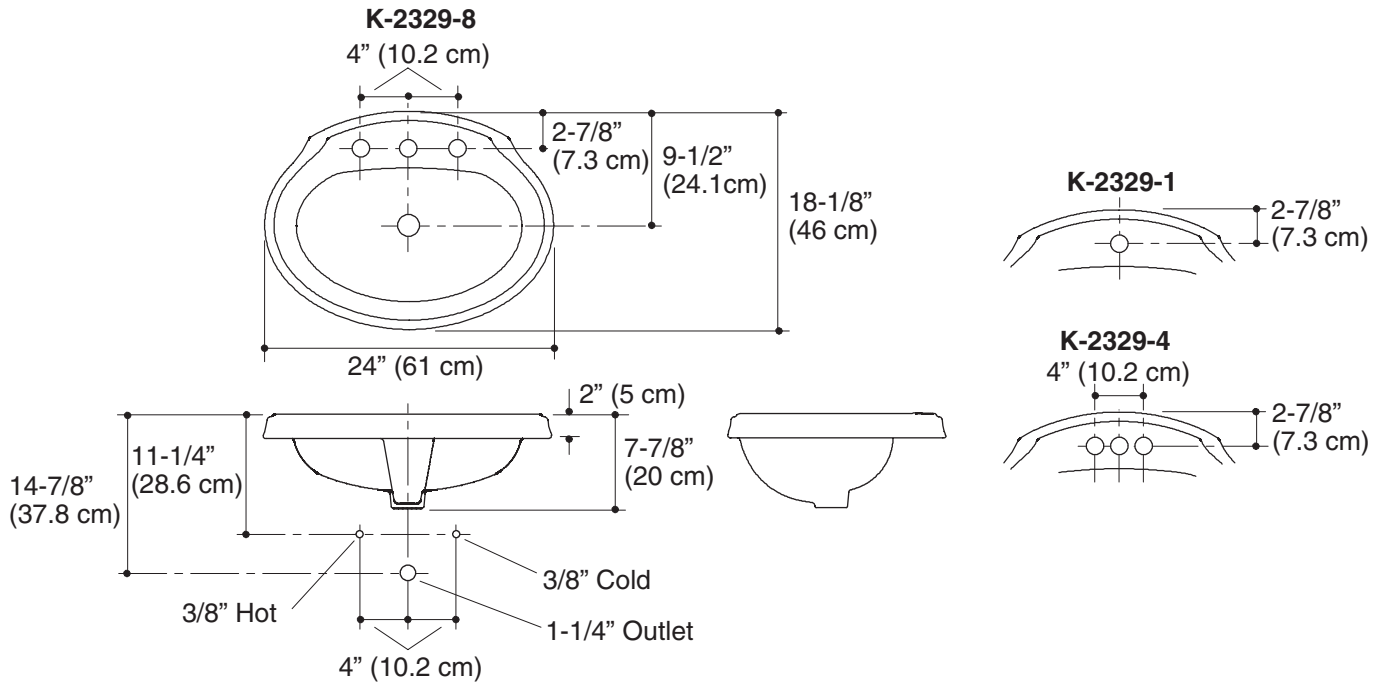
* Approximate measurements for comparison only.

Included Components:	
Cutout template	1016328-7

Installation Notes

Install this product according to the installation guide.

NOTICE: Countertop manufacturer or cutter **must** use the cut-out template provided with the product, or a current one provided by Kohler Co. (call 1-800-4-KOHLER). Kohler Co. is not responsible for cut-out errors when the incorrect cut-out template is used.



Product Diagram