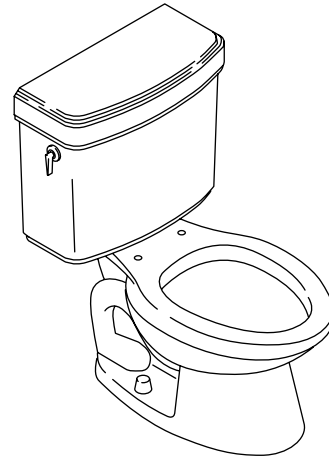


COMFORT HEIGHT® TOILET K-3485

ADA

Features

- Vitreous china
- 12" (30.5 cm) rough-in
- Comfort Height®
- Combination toilet
- 2" (5.1 cm) glazed trapway
- Polished chrome trip lever
- Ingenium® flushing system
- Less seat and supply
- With right-hand trip lever (-RA)
- Elongated bowl
- 1.6 gpf (6 lpf)
- 11-1/8" (28.3 cm) x 9-1/2" (24.1 cm) water area
- 29" (73.7 cm) x 17" (43.2 cm) x 31" (78.7 cm)



Codes/Standards Applicable

Specified model meets or exceeds the following:

- ADA
- ASME A112.19.2/CSA B45.1
- ICC/ANSI A117.1

Colors/Finishes

- 0: White
- Other: Refer to Price Book for additional colors/finishes

Accessories

- 0: White
- CP: Polished Chrome
- PB: Vibrant® Polished Brass
- Other: Refer to Price Book for additional colors/finishes

Specified Model

Model	Description	Trip Lever	Colors/Finishes	
K-3485	Elongated front bowl toilet	left-hand	<input type="checkbox"/> 0	<input type="checkbox"/> Other_____
K-3485-RA	Elongated front bowl toilet	right-hand	<input type="checkbox"/> 0	<input type="checkbox"/> Other_____
Recommended Accessories				
K-4650	Lustra™ elongated open-front toilet seat – for ADA compliance		<input type="checkbox"/> 0	<input type="checkbox"/> Other_____
K-7637	Angle supply with stop – 3/8" NPT	<input type="checkbox"/> CP	<input type="checkbox"/> PB	<input type="checkbox"/> Other_____

Optional Accessories table is on page 2.

Product Specification

The elongated combination toilet shall be made of vitreous china. Toilet shall be 29" (73.7 cm) in length, and 17" (43.2 cm) in width, and 31" (78.7 cm) in height with a 11-1/8" (28.3 cm) x 9-1/2" (24.1 cm) water area. Toilet shall be 12" (30.5 cm) rough-in, and 2" (5 cm) glazed trapway. Toilet shall be 1.6 gpf (6 lpf) with Ingenium® flushing system. Toilet shall be less seat and supply. Toilet shall include polished chrome trip lever, and right hand trip lever (-RA). Toilet shall be Kohler Model K-3485-_____ or K-3485-RA-_____.

Optional Accessories

K-9438 Trip lever - non-CP

PB

Other_____

Technical Information

Fixture:	
Configuration	two-piece, elongated
Water per flush	1.6 gal (6 L)
Passageway	2" (5.1 cm)
Water area	11-1/8" (28.3 cm) x 9-1/2" (24.1 cm)
Water depth from rim	6" (15.2 cm)
Seat post hole centers	5-1/2" (14 cm)

Included components:

Bowl	K-4274	
Tank	- left-hand	K-4609
	- right-hand	K-4609-RA

Included components:

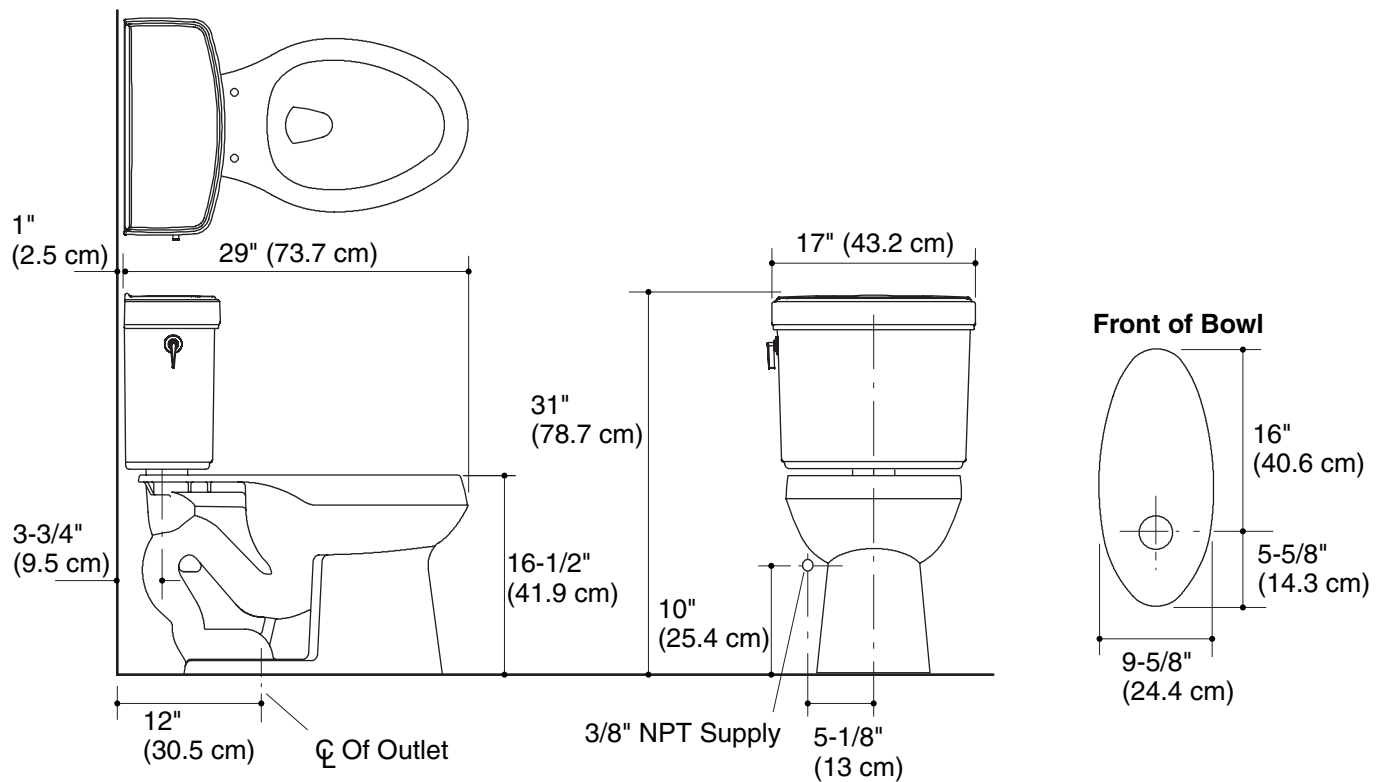
Trip lever	- left-hand trip lever OR	85085
	- right-hand trip lever	1007913
Bolt cap accessory pack		1013092

Installation Notes

Install this product according to the installation guide.

Will comply with the American Disabilities Act (ADA) when installed per the requirements of the Accessibility Guidelines, Section 604 Water Closets, of the Act. The Model Plumbing Codes require the installation of elongated open-front toilet seats in public bathrooms.

Section 604 states the required height of the toilet is 17" (43.2 cm) to 19" (48.3 cm) from the floor to the top of the seat to meet ADA requirements.



Product Diagram