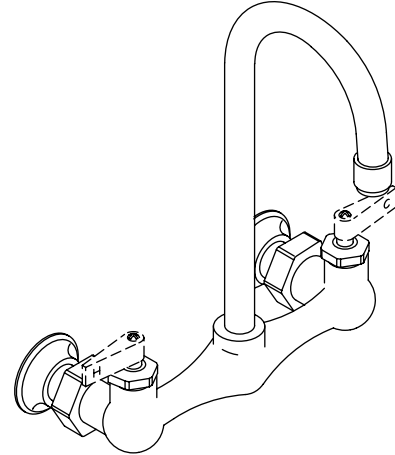


**UTILITY SINK FAUCET
K-7320**

Features

- Brass construction
- Brass valve bodies
- Valvet® valves
- Adjustable flanges
- Cross and lever handles are ADA compliant
- For 8" (20.3 cm) centers
- Stationary gooseneck spout
- 7-3/4" (19.7 cm) spout reach
- 1/2" NPT inside threaded inlets
- Lower flow aerator options available (refer to the Kohler Price Book)
- 2.2 gallons (8.3 L) per minute maximum flow rate



Codes/Standards Applicable

Specified model meets or exceeds the following at date of manufacture:

- ADA
- ASME A112.18.1/CSA B125.1
- ICC/ANSI A117.1
- Energy Policy Act of 1992
- NSF 61
- All applicable US Federal and State material regulations

Colors/Finishes

- CP: Polished Chrome
- BN: Brushed Nickel
- Other: Refer to Price Book for additional colors/finishes

Specified Model

Model	Description	Cross Handles			Lever Handles		
		<input type="checkbox"/> CP	<input type="checkbox"/> BN	<input type="checkbox"/> Other____	<input type="checkbox"/> CP	<input type="checkbox"/> BN	<input type="checkbox"/> Other____
K-7320-3	Utility sink faucet	<input type="checkbox"/>	<input type="checkbox"/>	<input type="checkbox"/>	<input type="checkbox"/>	<input type="checkbox"/>	<input type="checkbox"/>
K-7320-4	Utility sink faucet (shown)	<input type="checkbox"/>	<input type="checkbox"/>	<input type="checkbox"/>	<input type="checkbox"/>	<input type="checkbox"/>	<input type="checkbox"/>

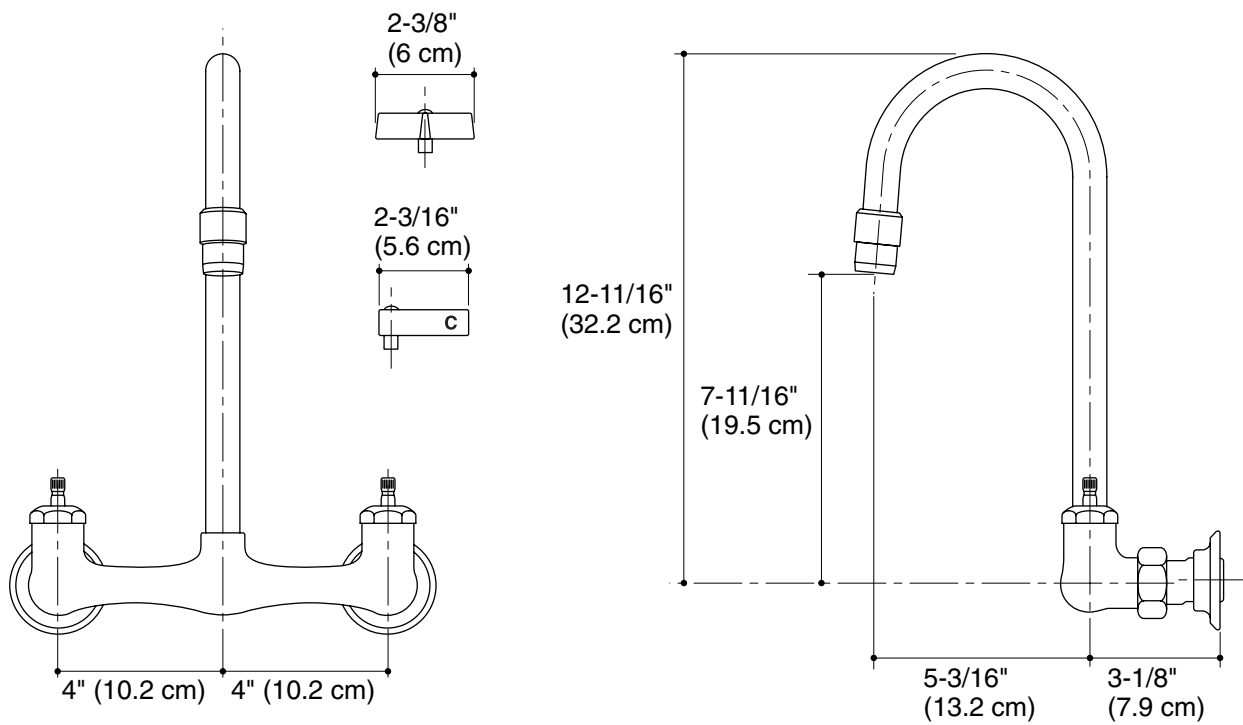
Product Specification

The two-handle service sink faucet shall be of brass construction with brass valve bodies. Product shall have a maximum flow rate of 2.2 gallons (8.3 L) per minute with lower flow aerator options available (refer to the Kohler Price Book). Product shall feature Valvet valves, 7-3/4" (19.7 cm) spout reach, and stationary gooseneck spout. Product shall feature adjustable flanges and 1/2" NPT inside threaded inlets. Product shall be available with ADA compliant cross or lever handles. Product shall be for 8" (20.3 cm) centers. Faucet shall be Kohler Model K-7320-____-____.

TRITON®

Installation Notes

Install this product according to the installation guide.



Product Diagram