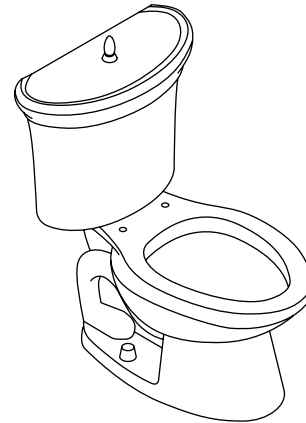


Features

- Vitreous china
- 12" (30.5 cm) rough-in
- Concealed trapway
- Comfort Height®
- Combination toilet
- Ingenium® flushing system
- Less seat and supply
- Elongated bowl
- 1.6 gpf (6 L)
- Includes polished chrome flush actuator
- 16-1/2" (41.9 cm) high bowl
- 10-1/2" (26.7 cm) x 9-1/4" (23.5 cm) water area
- 29" (73.7 cm) x 19-7/8" (50.5 cm) x 32-1/4" (81.9 cm)

COMFORT HEIGHT® TOILET K-3468



Codes/Standards Applicable

Specified model meets or exceeds the following:

- ASME A112.19.2/CSA B45.1

Colors/Finishes

- 0: White
- Other: Refer to Price Book for additional colors/finishes

Accessories

- 0: White
- CP: Polished Chrome
- PB: Vibrant® Polished Brass
- Other: Refer to Price Book for additional colors/finishes

Specified Model

Model	Description	Colors/Finishes		
K-3468	Elongated bowl toilet - concealed trapway	<input type="checkbox"/> 0	<input type="checkbox"/> Other_____	
Recommended Accessories				
K-4636	Cachet® Quiet-Close™ elongated toilet seat	<input type="checkbox"/> 0	<input type="checkbox"/> Other_____	
K-7637	Angle supply with stop – 3/8" NPT	<input type="checkbox"/> CP	<input type="checkbox"/> PB	<input type="checkbox"/> Other_____
Optional Accessories				
K-9446	Flush actuator- non-CP	<input type="checkbox"/> PB	<input type="checkbox"/> Other_____	

Product Specification

The elongated combination toilet shall be made of vitreous china. The toilet shall be 29" (73.7 cm) in length, 19-7/8" (50.5 cm) in width, and 32-1/4" (81.9 cm) in height with 10-1/2" (26.7 cm) x 9-1/4" (23.5 cm) water area. The toilet shall be 12" (30.5 cm) rough-in. The toilet shall be at Comfort Height®. The toilet shall have 16-1/2" (41.9 cm) high bowl, and concealed trapway. The toilet shall be 1.6 gpf (6 lpf) with Ingenium® flushing system. The toilet shall include polished chrome flush actuator. The toilet shall be less seat and supply. The toilet shall be Kohler Model K-3468-_____.

SERIF®

Technical Information

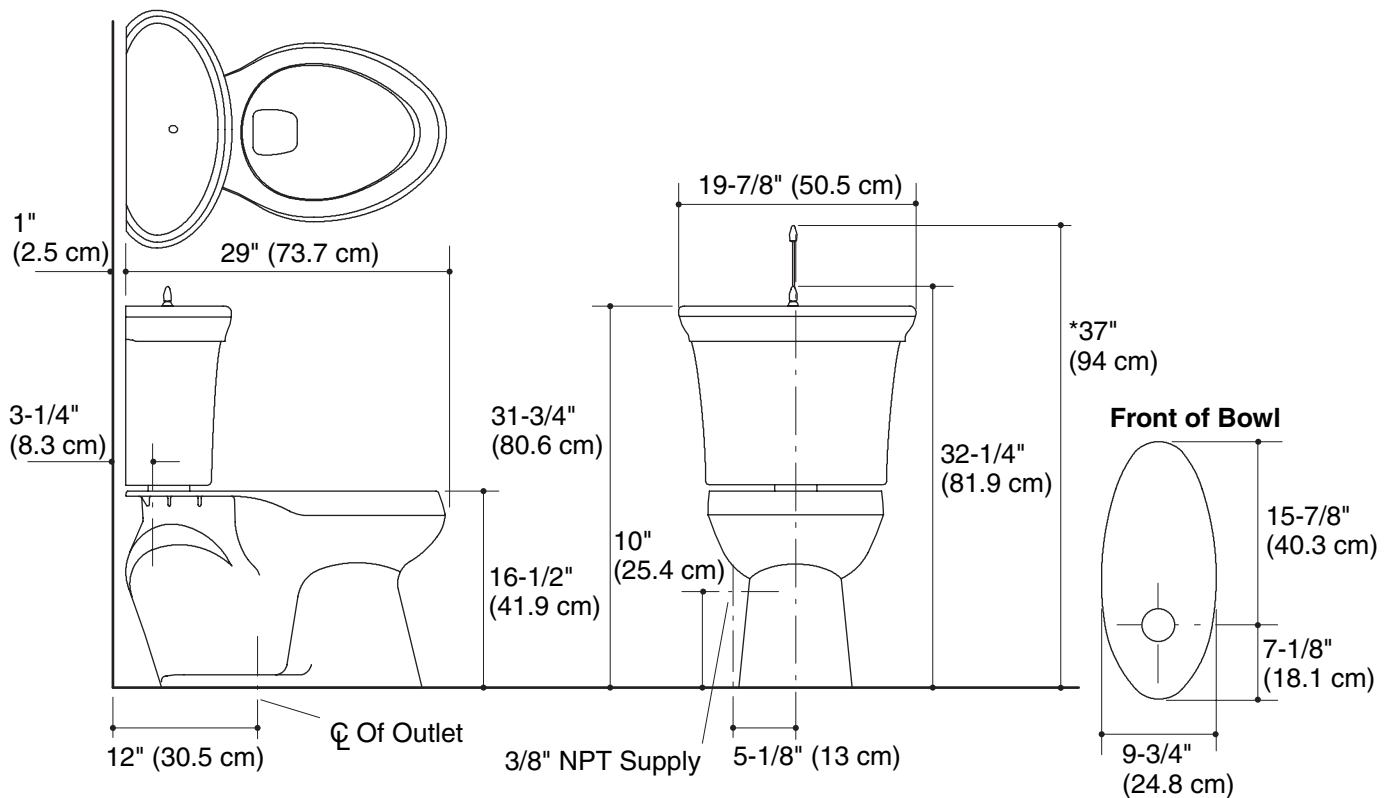
Fixture:	
Configuration	two-piece, elongated
Water per flush	1.6 gal (6 L)
Passageway	2-1/8" (5.4 cm)
Water area	10-1/2" (26.7 cm) x 9-1/4" (23.5 cm)
Water depth from rim	5-1/2" (14 cm)
Seat post hole centers	5-1/2" (14 cm)

Included components:	
Bowl	K-4278
Tank	K-4608
Tank cover	1032188
Flush actuator	83725
Bolt cap accessory pack	1013092
Tank accessory pack	73062

Installation Notes

Install this product according to the installation guide.

*Indicates maximum lift of trip lever during actuation.



Product Diagram