

**LAVATORY FAUCET
K-14406
ALSO K-14407**

ADA

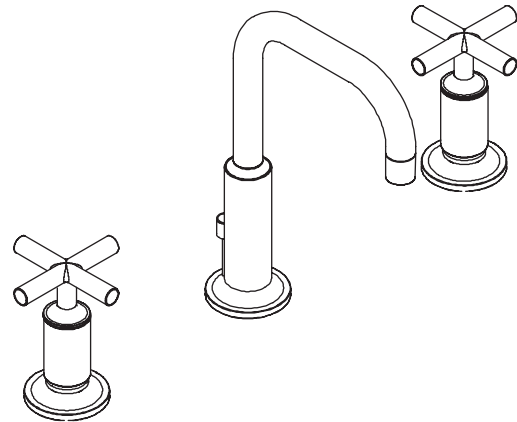
Features

- Metal construction
- Flexible connections for easy installation
- Brass valve bodies
- Reversible quarter-turn washerless ceramic disc valves
- Lower flow aerator options are available (refer to the Kohler Price Book)
- Pop-up drain with lift rod and tailpiece
- Cross or lever handles
- 2.2 gpm (8.3 lpm) flow rate
- 5 1/2" (14 cm) spout

Codes/Standards Applicable

Specified model meets or exceeds the following:

- ASME A112.18.1/CSA B125.1
- Energy Policy Act of 1992
- IAPMO/UPC
- NSF 61
- ADA
- CSA International




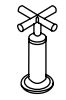

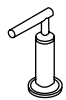
Colors/Finishes

- CP: Polished Chrome
- Other: Refer to Price Book for additional colors/finishes

Accessories

- NA: None applicable

Specified Model

Model	Description	ADA		ADA	
K-14406-3	Lavatory faucet with short cross handles	<input type="checkbox"/> CP	<input type="checkbox"/> Other _____		
K-14407-3	Lavatory faucet with tall cross handles			<input type="checkbox"/> CP	<input type="checkbox"/> Other _____
Model	Description	ADA		ADA	
K-14406-4	Lavatory faucet with short lever handles	<input type="checkbox"/> CP	<input type="checkbox"/> Other _____		
K-14407-4	Lavatory faucet with tall lever handles			<input type="checkbox"/> CP	<input type="checkbox"/> Other _____

Product Specification

Two-handle widespread lavatory faucet shall be of metal construction. Faucet shall feature brass valve bodies. Faucet shall feature reversible quarter-turn washerless ceramic disc valves. Faucet shall include flexible connections for easy installation, 5 1/2" (14 cm) spout, pop-up drain with lift rod and tailpiece, and cross or lever handles. Faucet shall be rated at 2.2 gallons (8.3 L) per minute flow rate. Faucet shall have lower flow aerator options. Faucet shall be Kohler Model K-_____-_____-_____.

PURIST®

Optional Accessories

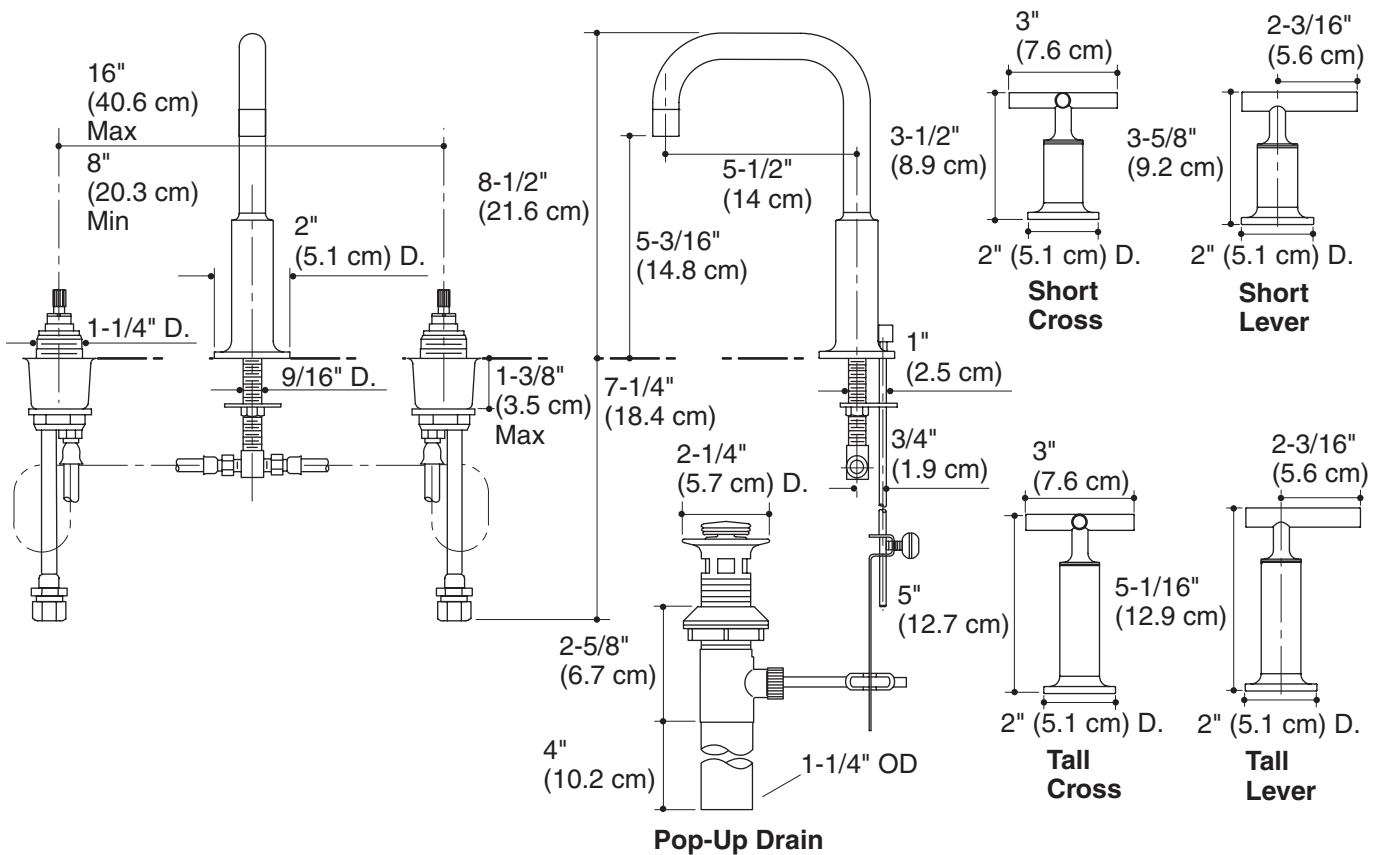
40003

Wrench for long-stemmed ceramic valve bodies

NA

Installation Notes

Install this product according to the installation guide.



Product Diagram