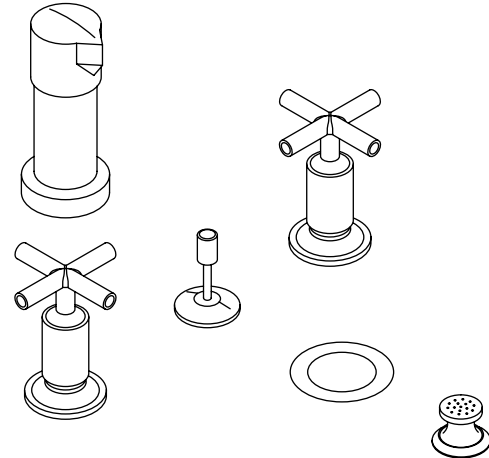


**BIDET FAUCET
K-14431**

Features

- Metal construction
- Flexible connections for easy installation
- Brass valve bodies
- Pop-up drain with lift rod and tailpiece
- Variety of handle style options
- Vertical spray
- Fixture-mount transfer valve/vacuum breaker
- Cross handles
- Lever handles
- Reversible quarter-turn washerless ceramic disc valves



Codes/Standards Applicable



Specified model meets or exceeds the following:

- ASME A112.18.1/CSA B125.1
- IAPMO/cUPC
- ASSE 1001

Colors/Finishes

- CP: Polished Chrome
- PB: Vibrant® Polished Brass
- Other: Refer to Price Book for additional colors/finishes

Specified Model

Model	Description		
K-14431-3	Bidet faucet with cross handle (shown)	<input type="checkbox"/> CP <input type="checkbox"/> Other_____	
K-14431-4	Bidet faucet with lever handle		<input type="checkbox"/> CP <input type="checkbox"/> Other_____

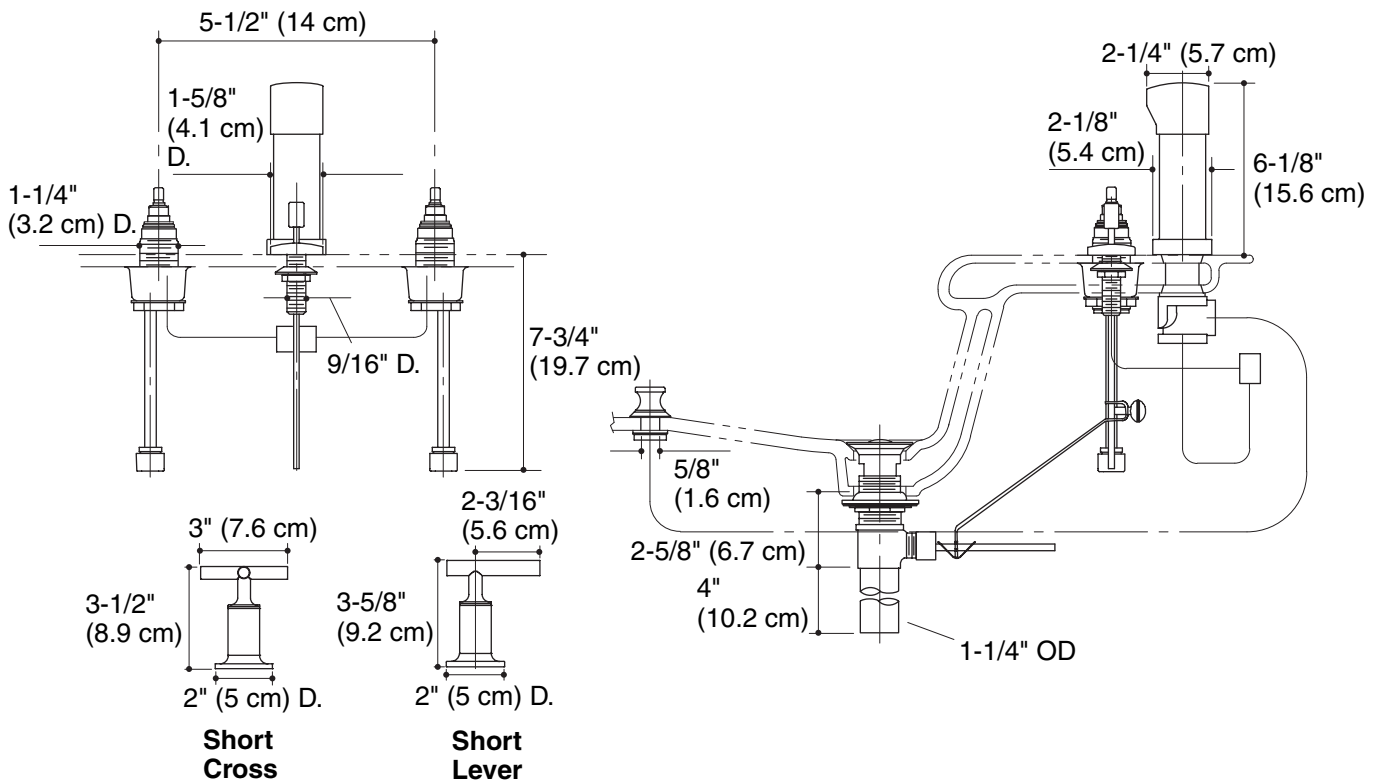
Product Specification

Two-handle fixture-mount bidet faucet shall be of metal construction. Faucet shall feature brass valve bodies. Faucet shall feature reversible quarter-turn washerless ceramic disc valves. Product shall include flexible connections for easy installations, pop-up drain with lift rod and tailpiece, handles, vertical spray, and fixture-mount valve/vacuum breaker. Faucet shall be Kohler Model K-14431-_____-_____.

PURIST®

Installation Notes

Install this product according to the installation guide.



Product Diagram