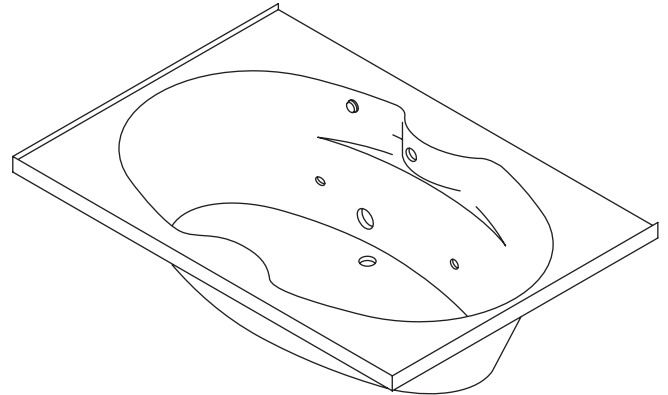


#### Features

- Acrylic
- Drop-in or three-wall alcove
- UL listed
- Pump with air switch and grounding-type plug-in cord
- Optional K-1283 removable apron
- Optional K-9696 whirlpool trim kit in various finishes
- 6 individually adjustable ProFlex® hydro-massage jets
- Molded lumbar supports and armrests
- 72" (182.9 cm) x 42" (106.7 cm) x 20-1/8" (51.1 cm)



#### Codes/Standards Applicable

Specified model meets or exceeds the following:

- ASME A112.19.7M
- ANSI Z124.1.2
- ASTM E162
- ASTM E662
- UL 1795

#### Colors/Finishes

- 0: White
- Other: Refer to Price Book for additional colors/finishes

#### Accessories

- 0: White
- CP: Polished Chrome
- PB: Vibrant® Polished Brass
- Other: Refer to Price Book for additional colors/finishes

#### Specified Model

Model	Description	Colors/Finishes	
K-1131	Bath whirlpool – drop-in style rim	<input type="checkbox"/> 0	<input type="checkbox"/> Other_____
K-1131-F	Bath whirlpool – tile-in flange on three sides for alcove installation	<input type="checkbox"/> 0	<input type="checkbox"/> Other_____

#### Recommended Accessories

K-11677	Adjustable trip lever bath drain	<input type="checkbox"/> CP	<input type="checkbox"/> PB
---------	----------------------------------	-----------------------------	-----------------------------

#### Optional Accessories

K-1283	Removable apron	<input type="checkbox"/> 0	<input type="checkbox"/> Other_____
K-1491	Removable bath pillow	<input type="checkbox"/> 0	<input type="checkbox"/> Other_____

#### Product Specification

The acrylic bath whirlpool shall be 72" (182.9 cm) in length, 42" (106.7 cm) in width, and 20-1/8" (51.1 cm) in height. Bath whirlpool shall be for drop-in rim or three-wall alcove installations. Bath whirlpool shall have 6 individually adjustable ProFlex hydro-massage jets, a pump with air switch and grounding-type plug-in cord. Bath whirlpool shall have molded lumbar supports and armrests. Bath whirlpool shall be UL listed. Bath whirlpool shall have an optional K-1283 removable apron and an optional K-9696 whirlpool trim kit in various finishes. Bath whirlpool shall be Kohler Model K-1131-\_\_\_\_ or K-1131-F-\_\_\_\_.

# PROFLEX® 7242

## Optional Accessories

K-9696	Jet trim kit (metal finishes)	<input type="checkbox"/> CP	<input type="checkbox"/> PB	<input type="checkbox"/> Other_____
--------	-------------------------------	-----------------------------	-----------------------------	-------------------------------------

## Technical Information

Fixture*:			
Basin area			
Basin area, bottom	53" (134.6 cm) x 26" (66 cm)		
Basin area, top	65" (165.1 cm) x 34" (86.4 cm)		
Weight	70 lbs (31.8 kg)		
To overflow			
Water depth	15" (38.1 cm)		
Capacity	78 gal (295.3 L)		
* Approximate measurements for comparison only.			
Drop-in cut-out			
	70-1/2" (179.1 cm) x 40-1/2" (102.9 cm)		
Pump:			
	V	Hz	A
1-speed	120	60	7.5

## Required Electrical Service

Dedicated circuit protected with a Class A Ground-Fault Circuit-Interrupter (GFCI) is required:

Pump/control 120 V, 15 A, 60 Hz

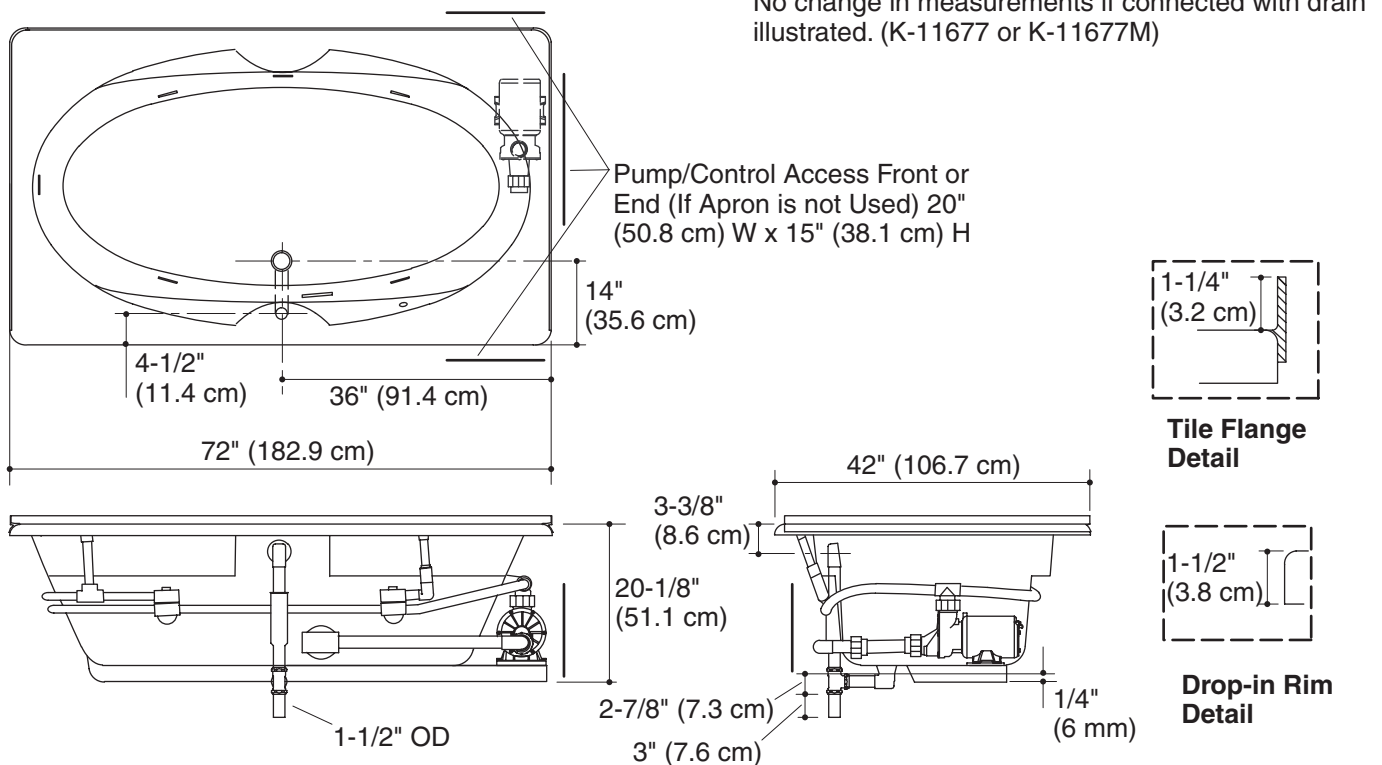
Locate the outlet behind the whirlpool and within 24" (61 cm) of the pump.

## Installation Notes

Install this product according to the installation guide.

Floor support under whirlpool must provide for a minimum of 36 lbs/square foot (164 kg/square meter) floor loading.

The apron must be installed before the finished floor and wall materials.



## Product Diagram