

Features

- Acrylic
- 8 Kohler jets, color matched
- Pump with air switch actuator
- Integral apron with removable access panel
- Integral lumbar support and armrests to cradle the body
- Pump is supplied with a grounding-type plug-in cord
- Left or right drain
- 3-side integral flange for alcove installation
- 60" (152.4 cm) x 32" (81.3 cm) x 20" (50.8 cm)

Codes/Standards Applicable

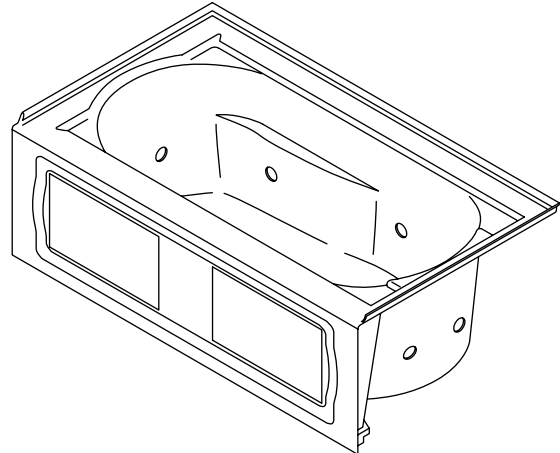
Specified model meets or exceeds the following:

- ANSI Z124.1.2
- ASME A112.19.7M
- UL 1795

BATH WHIRLPOOL WITH INTEGRAL APRON

K-1357-LA

ALSO K-1357-RA



Colors/Finishes

- 0: White
- Other: Refer to Price Book for additional colors/finishes

Accessories

- CP: Polished Chrome
- PB: Vibrant® Polished Brass
- Other: Refer to Price Book for additional colors/finishes

Specified Model

Model	Description	Colors/Finishes	
K-1357-LA	Bath whirlpool – left drain (shown)	<input type="checkbox"/> 0	<input type="checkbox"/> Other _____
K-1357-RA	Bath whirlpool – right drain	<input type="checkbox"/> 0	<input type="checkbox"/> Other _____

Recommended Accessories

K-7161-AF	Adjustable pop-up drain	<input type="checkbox"/> CP	<input type="checkbox"/> PB	<input type="checkbox"/> Other _____
-----------	-------------------------	-----------------------------	-----------------------------	--------------------------------------

Product Specification

The acrylic bath whirlpool shall be 60" (152.4 cm) in length, 32" (81.3 cm) in width, and 20" (50.8 cm) in height. Product shall be 3-side integral flange for alcove installation. Product shall have 8 color-matched Kohler jets, a pump with an air switch actuator. Product shall have an integral apron with a removable access panel. Product shall feature an integral lumbar support and armrests to cradle the body. Product shall be left or right drain. Product shall feature a pump which shall be supplied with a grounding-type plug-in cord. Bath whirlpool shall be Kohler Model K-1357-____-____.

DEVONSHIRE®

Technical Information

Fixture*:			
Basin area:			
Bathing well	42" (106.7 cm) x 20" (50.8 cm)		
Top area	51" (129.5 cm) x 24" (61 cm)		
Weight	135 lbs (61.2 kg)		
To overflow:			
Water depth	14" (35.6 cm)		
Capacity	60 gal (227.1 L)		
* Approximate measurements for comparison only.			
Pump:	V	Hz	A
1-speed	120	60	7

Required Electrical Service

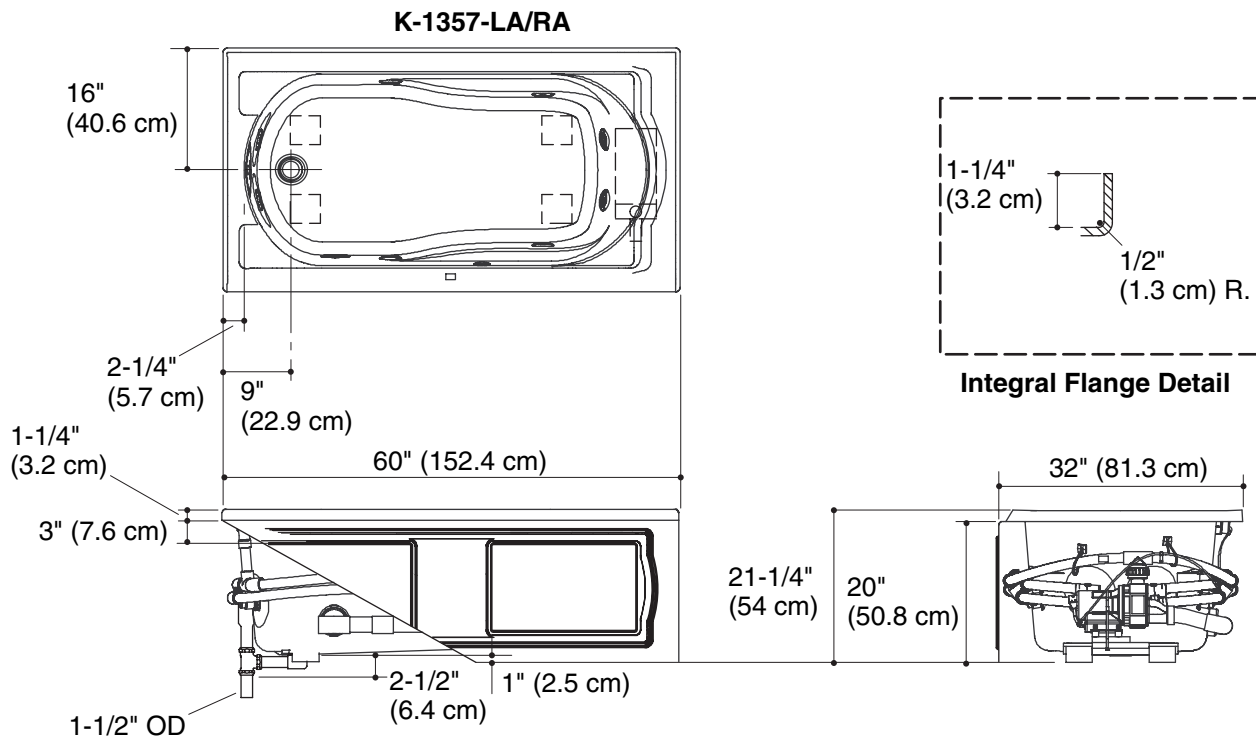
Dedicated circuit required, protected with Class A Ground-Fault Circuit-Interrupter (GFCI):	
Pump/control	120 V, 15 A, 60 Hz

Installation Notes

Install this product according to the installation guide.

Floor support under whirlpool must provide for a minimum of 50 lbs/square foot (242 kg/square meter) loading.

No change in measurements if connected with drain illustrated. (K-7161-AF or K-7161M-AF)



Product Diagram