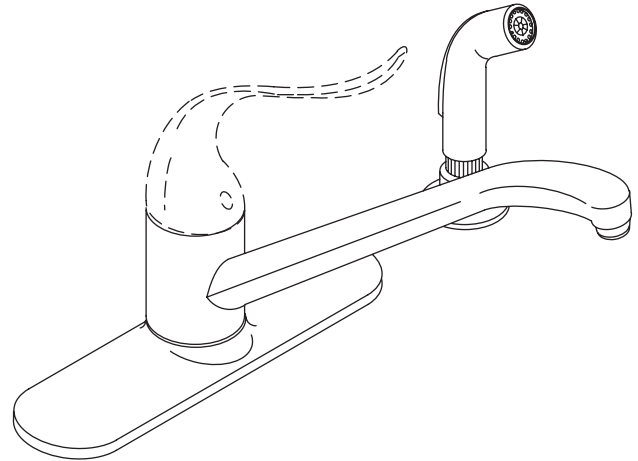


**KITCHEN SINK FAUCET
K-15172**

ADA

Features

- Metal construction
- One-piece, self-contained ceramic disc valve allows both volume and temperature control
- Temperature memory allows faucet to be turned on and off at any temperature setting
- ADA compliant loop or lever handle
- Flexible supplies
- Matching finish sidespray
- Available with an 8-1/2" (21.6 cm), 10" (25.4 cm), or 12" (30.5 cm) swing spout reach
- Lower flow aerator options available (refer to the Kohler Price Book)
- 2.2 gallons (8.3 L) per minute maximum flow rate



Codes/Standards Applicable

Specified model meets or exceeds the following at date of manufacture:

- ADA
- ASME A112.18.1/CSA B125.1
- ICC/ANSI A117.1
- NSF 61
- Energy Policy Act of 1992
- All applicable US Federal and State material regulations

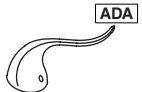

Colors/Finishes

- CP: Polished Chrome
- Other: Refer to Price Book for additional colors/finishes

Accessories

- CP: Polished Chrome
- Other: Refer to Price Book for additional colors/finishes
- NA: None applicable

Specified Model

Model	Description	Lever Handle		Loop Handle	
			<input type="checkbox"/> CP <input type="checkbox"/> Other___		<input type="checkbox"/> CP <input type="checkbox"/> Other___
K-15172-F	Kitchen sink faucet – with 8-1/2" (21.6 cm) swing spout reach	<input type="checkbox"/> CP	<input type="checkbox"/> Other___		
K-15172-FG	Kitchen sink faucet – with 12" (30.5 cm) swing spout reach	<input type="checkbox"/> CP	<input type="checkbox"/> Other___		
K-15172-FL	Kitchen sink faucet – with 10" (25.4 cm) swing spout reach			<input type="checkbox"/> CP	<input type="checkbox"/> Other___
K-15172-FT	Kitchen sink faucet – with 10" (25.4 cm) swing spout reach	<input type="checkbox"/> CP	<input type="checkbox"/> Other___		

CORALAIS®

Product Specification

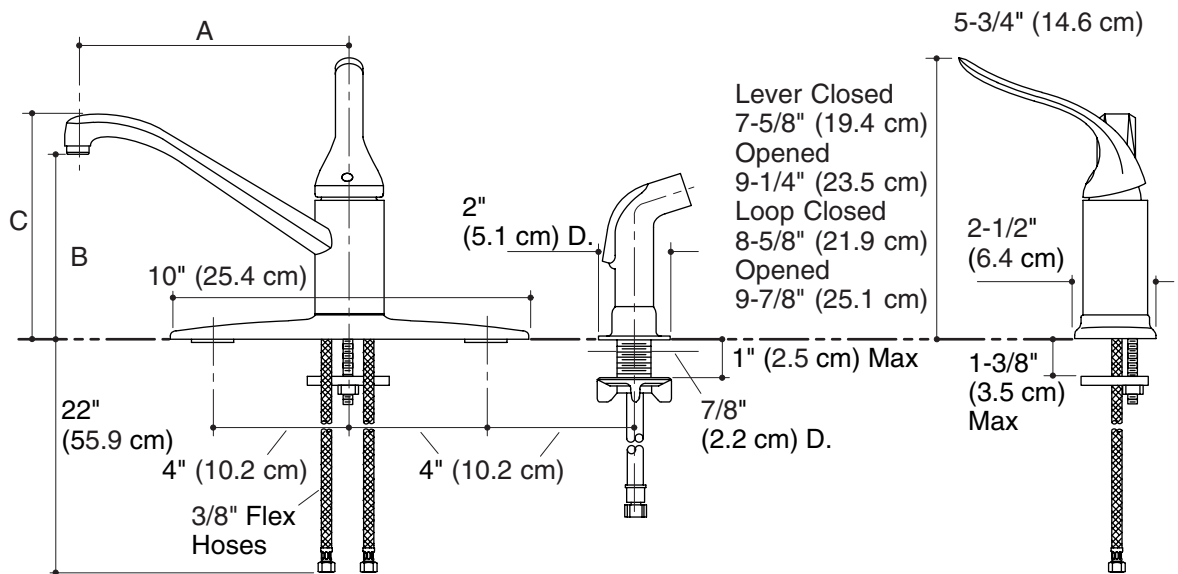
The single-control kitchen sink faucet shall be of metal construction. Product shall have a maximum flow rate of 2.2 gallons (8.3 L) per minute with lower flow aerator options available (refer to the Kohler Price Book). Product shall feature a one-piece, self-contained ceramic disc valve, which allows both volume and temperature control. Product shall feature temperature memory, allowing the faucet to be turned on and off at any temperature setting. Product shall feature flexible supplies and a matching finish sidespray. Product shall be available with an 8-1/2" (21.6 cm), 10" (25.4 cm), or 12" (30.5 cm) swing spout reach. Product shall be available with an ADA compliant loop or lever handle. Faucet shall be Kohler Model K-15172-____-____.

Optional Accessories

K-15179-A	12" (30.5 cm) swing spout and aerator	<input type="checkbox"/> CP	
1030920	Sidespray deep roughing-in kit		<input type="checkbox"/> NA

Installation Notes

Install this product according to the installation guide.



	A	B	C
K-15172-F	8-1/2" (21.6 cm)	5-1/8" (13 cm)	6-1/4" (15.9 cm)
K-15172-FT, K-15172-FL	10" (25.4 cm)	6-1/4" (15.9 cm)	7-1/4" (18.4 cm)
K-15172-FG	12" (30.5 cm)	6-5/16" (16 cm)	7-5/16" (18.6 cm)

Product Diagram