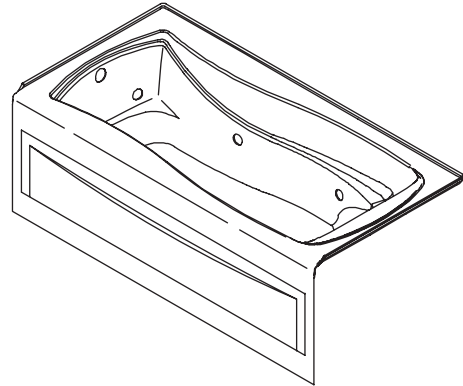


Features

- Acrylic
- Pump with air switch and grounding-type plug-in cord
- In-line heater
- 6 individually adjustable multi-directional hydro-massage jets
- Optional K-1717 timer kit
- Optional K-9696 whirlpool trim kit in various finishes
- Integral apron with removable access panel
- 3-side integral flange for alcove installation
- 72" (182.9 cm) x 36" (91.4 cm) x 20" (50.8 cm)

BATH WHIRLPOOL WITH INTEGRAL APRON

K-1257-HL
ALSO K-1257-HR



Codes/Standards Applicable

Specified model meets or exceeds the following:

- ANSI Z124.1.2
- ASME A112.19.7M
- UL 1795

Colors/Finishes

- 0: White
- Other: Refer to Price Book for additional colors/finishes

Accessories

- CP: Polished Chrome
- PB: Vibrant® Polished Brass
- NA: None applicable

Specified Model

Model	Description	Colors/Finishes	
K-1257-HL	Bath whirlpool with integral apron – left drain (shown)	<input type="checkbox"/> 0	<input type="checkbox"/> Other_____
K-1257-HR	Bath whirlpool with integral apron – right drain	<input type="checkbox"/> 0	<input type="checkbox"/> Other_____

Recommended Accessories

K-7166-AF	Adjustable pop-up drain – above or through-the-floor installation	<input type="checkbox"/> CP	<input type="checkbox"/> PB	<input type="checkbox"/> Other_____
-----------	---	-----------------------------	-----------------------------	-------------------------------------

Optional Accessories

K-1491	Pillow	<input type="checkbox"/> 0			<input type="checkbox"/> Other_____	
K-1717	20-minute ProFlex timer kit					<input type="checkbox"/> NA
K-9696	Jet trim kit – metal finishes		<input type="checkbox"/> CP	<input type="checkbox"/> PB	<input type="checkbox"/> Other_____	

Product Specification

The acrylic bath whirlpool shall be 72" (182.9 cm) in length, 36" (91.4 cm) in width, and 20" (50.8 cm) in height. Product shall feature a 3-side integral flange for alcove installation. Product shall have 6 individually adjustable multi-directional hydro-massage jets, a pump with air switch and cord with plug and an in-line heater. Product shall have an optional K-1491 removable pillow, an optional K-1717 timer kit, and an optional K-9696 trim kit in various finishes. Bath whirlpool shall be Kohler Model K-1257-_____-_____.

MARIPOSA®

Technical Information

Fixture*:	
Bathing well:	
Basin area, bottom	50" (127 cm) x 24" (61 cm)
Basin area, top	65" (165.1 cm) x 27" (68.6 cm)
Weight	115 lbs (52.2 kg)
To overflow:	
Water depth	14" (35.6 cm)
Capacity	72 gal (272.5 L)
* Approximate measurements for comparison only.	

Pump:	V	Hz	A
1-speed	120	60	7.5
Heater:	kW	V	Hz
	1.5	120	60
		A	12.5

Required Electrical Services

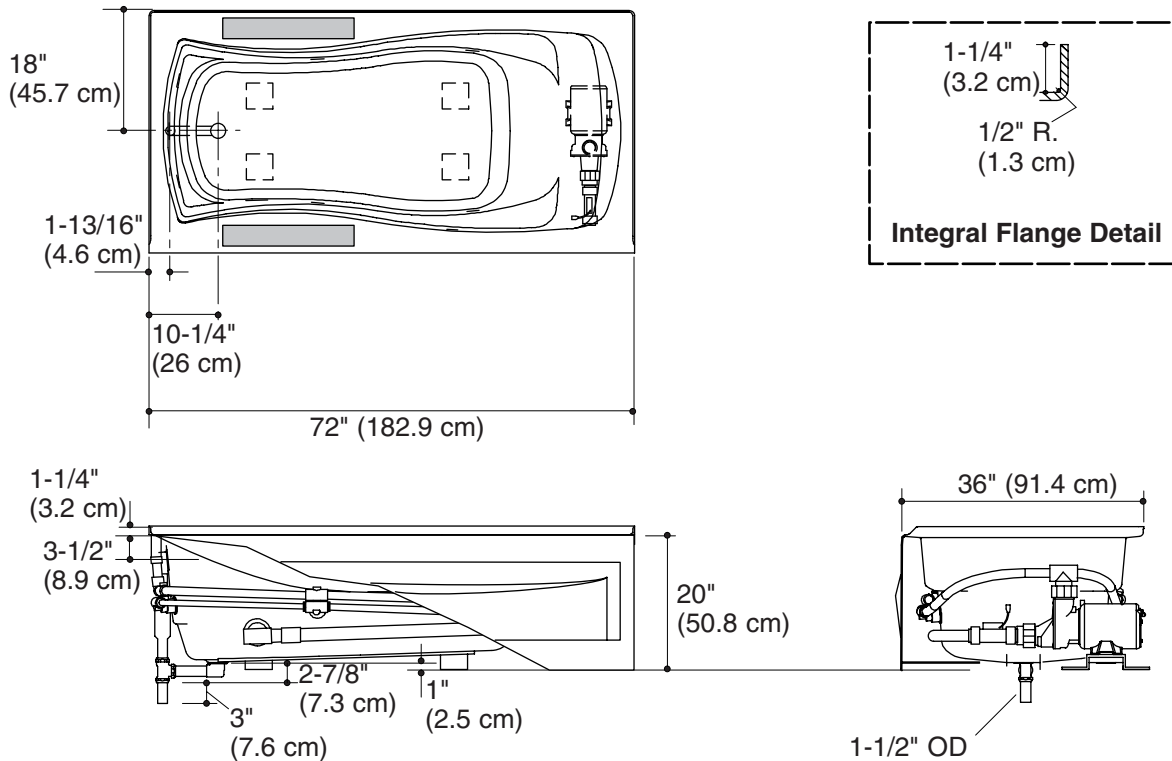
Two dedicated circuits required, each protected with Class A Ground-Fault Circuit-Interrupter (GFCI):	
Pump/control	120 VAC, 15 A, 60 Hz
Heater	120 VAC, 15 A, 60 Hz
Locate the outlet behind the whirlpool and within 24" (61 cm) of the pump and heater.	

Installation Notes

Install this product according to the installation guide.

Floor support under whirlpool must provide for a minimum of 41 lbs/square foot (201 kg/square meter) loading.

If installing a rim-mount faucet, make sure there is no interference with drain overflow and circulating system before drilling any holes. Consult local and national codes for minimum air gap requirements if installing a spout on the faucet deck.



Product Diagram