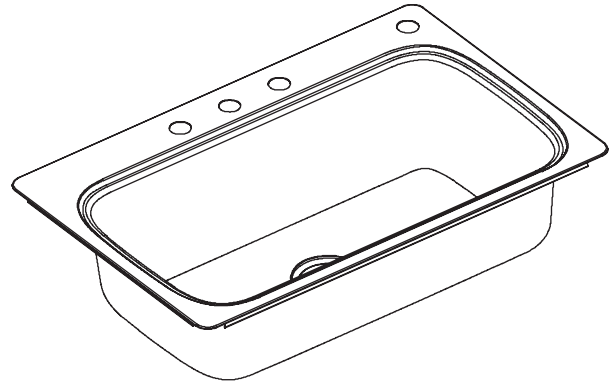


Features

- 18-gauge stainless steel
- Self-rimming
- Single compartment
- Includes installation hardware
- 4-hole (-4), 3-hole (-3), or single-hole (-1)
- 33" (83.8 cm) x 22" (55.9cm)

SELF-RIMMING KITCHEN SINK K-3373



Codes/Standards Applicable

Specified model meets or exceeds the following:

- ASME A112.19.3/CSA B45.4

Colors/Finishes

- NA: None applicable

Accessories:

- CP: Polished Chrome
- ST: Stainless Steel
- NA: None applicable
- Other: Refer to Price Book for additional colors/finishes

Specified Model

| Model | Description | Colors/Finishes |
|----------|------------------|-----------------------------|
| K-3373-4 | 4-hole sink | <input type="checkbox"/> NA |
| K-3373-3 | 3-hole sink | <input type="checkbox"/> NA |
| K-3373-1 | Single-hole sink | <input type="checkbox"/> NA |

| Optional Accessories | | |
|----------------------|--|---|
| K-3119 | Hardwood cutting board | <input type="checkbox"/> NA |
| K-3133 | Stainless steel bottom basin rack | <input type="checkbox"/> ST |
| K-8801 | Duostrainer® sink strainer | <input type="checkbox"/> CP <input type="checkbox"/> Other_____ |
| K-8813 | Stainless steel sink strainer with tailpiece | <input type="checkbox"/> CP |
| K-8814 | Stainless steel sink strainer less tailpiece | <input type="checkbox"/> CP |

Product Specification:

The self-rimming kitchen sink shall be 33" (83.8 cm) in length and 22" (55.9 cm) in width. Sink shall be made of 18 gauge stainless steel. Sink shall be single compartment. Sink shall be 4-hole (-4), 3-hole (-3), or single-hole (-1). Sink shall include installation hardware. Sink shall be Kohler Model K-3373-_____.

Technical Information

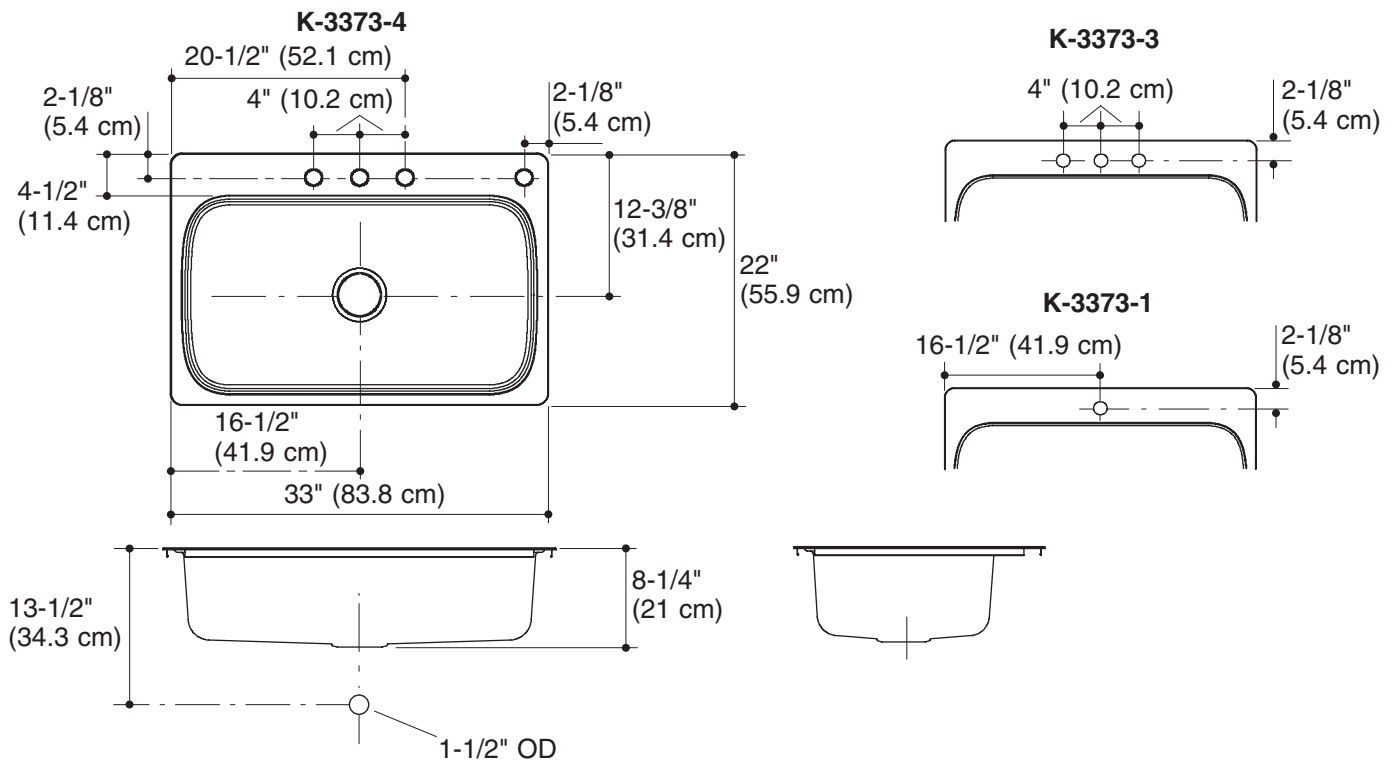
| Fixture*: | Basin area | Water depth |
|---|--|--------------|
| Sink | 29-1/2" (74.9 cm) x 15-3/4" (40 cm) | 8" (20.3 cm) |
| Drain hole | 3-5/8" (9.2 cm) D. | |
| Faucet holes | 1-7/16" (3.7 cm) D. | |
| * Approximate measurements for comparison only. | | |

| | |
|---------------------|---------|
| Included component: | |
| Fastener pack | 1023180 |

Installation Notes

Install this product according to the installation guide.

Cutout is 32-1/2" (82.6 cm) x 21-1/2" (54.6 cm) with 3/4" (1.9 cm) radius corners.



Product Diagram