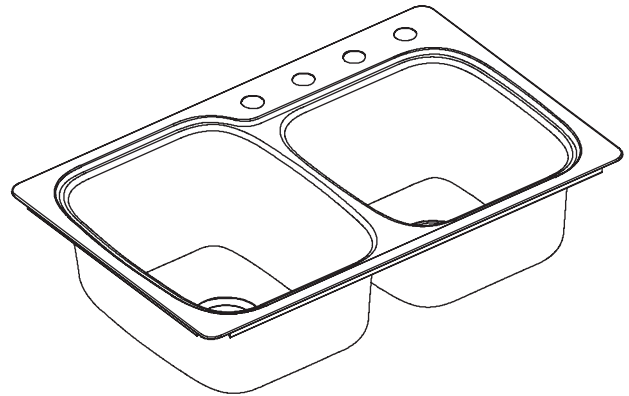


Features

- 18-gauge stainless steel
- Self-rimming
- Double (large/medium) compartment
- Includes installation hardware
- 4-hole (-4), 3-hole (-3), or single-hole (-1)
- 33" (83.8 cm) 22" (55.9 cm)

SELF-RIMMING KITCHEN SINK K-3372



Codes/Standards Applicable

Specified model meets or exceeds the following:

- ASME A112.19.3/CSA B45.4

Colors/Finishes

- NA: None applicable

Accessories:

- CP: Polished Chrome
- ST: Stainless Steel
- NA: None applicable
- Other: Refer to Price Book for additional colors/finishes

Specified Model

Model	Description	Colors/Finishes
K-3372-4	4-hole sink	<input type="checkbox"/> NA
K-3372-3	3-hole sink	<input type="checkbox"/> NA
K-3372-1	Single-hole sink	<input type="checkbox"/> NA

Optional Accessories		
K-3119	Hardwood cutting board (for right basin)	<input type="checkbox"/> NA
K-3132	Stainless steel bottom basin rack (for left basin)	<input type="checkbox"/> ST
K-3129	Stainless steel bottom basin rack (for right basin)	<input type="checkbox"/> ST
K-8801	Duostrainer® sink strainer	<input type="checkbox"/> CP <input type="checkbox"/> Other_____
K-8813	Stainless steel sink strainer with tailpiece	<input type="checkbox"/> CP
K-8814	Stainless steel sink strainer less tailpiece	<input type="checkbox"/> CP

Product Specification:

The self-rimming kitchen sink shall be 33" (83.8 cm) in length, 22" (55.9 cm) in width. Sink shall be made of 18 gauge stainless steel. Sink shall feature double (large/medium) compartments. Sink shall be 4-hole (-4), 3-hole (-3), or single-hole (-1). Sink shall include installation hardware. Sink shall be Kohler Model K-3372-_____.

Technical Information

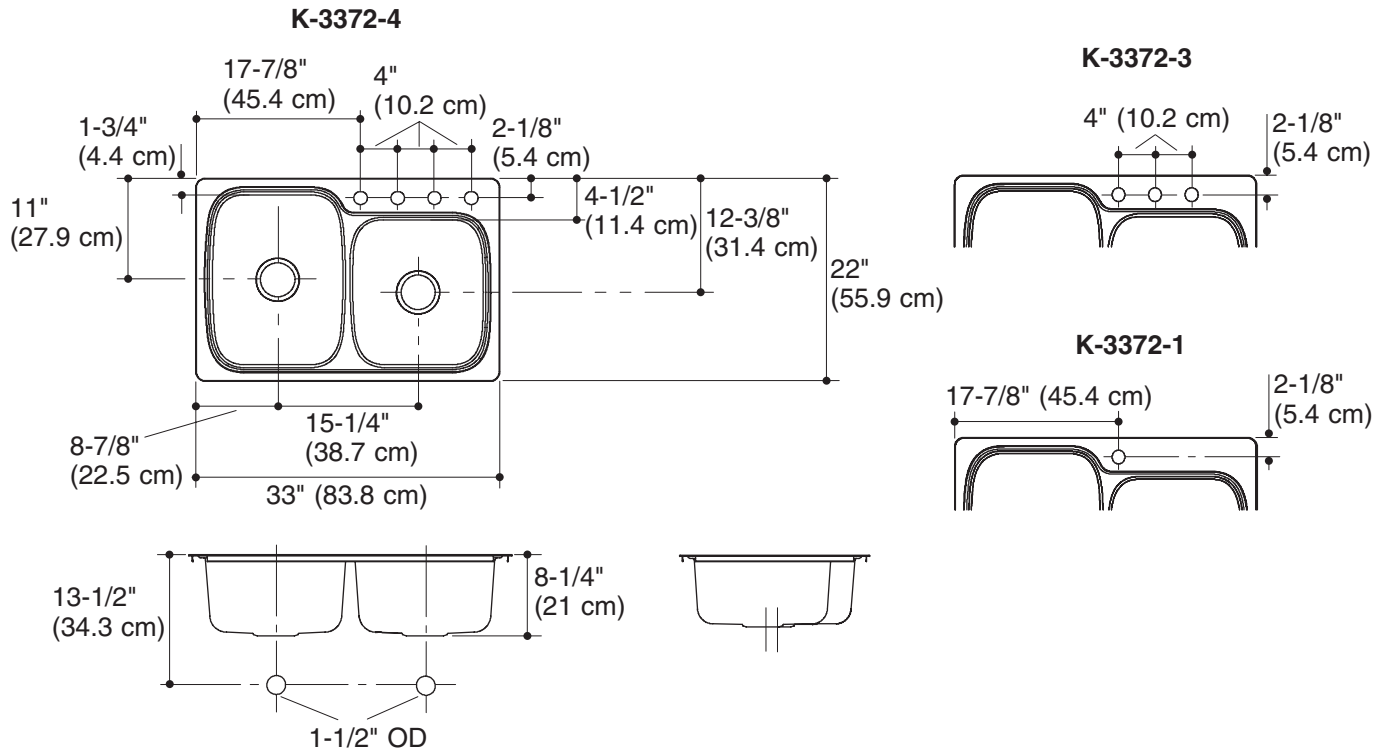
Fixture*:	Basin area	Water depth
Sink, left	14-1/4" (36.2 cm) x 18-1/2" (47 cm)	8" (20.3 cm)
Sink, right	14-1/4" (36.2 cm) x 15-3/4" (40 cm)	8" (20.3 cm)
Drain holes	3-5/8" (9.2 cm) D.	
Faucet holes	1-7/16" (3.7 cm) D.	

* Approximate measurements for comparison only.

Included component:	
Fastener pack	1023180

Installation Notes

Install this product according to the installation guide.
Cutout is 32-1/2" (82.6 cm) x 21-1/2" (54.6 cm) with 3/4" (1.9 cm) radius corners.



Product Diagram