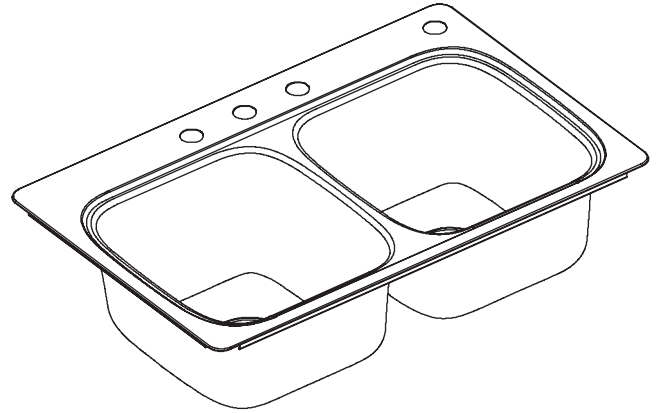


Features

- 18-gauge stainless steel
- Self-rimming
- Double (equal) compartment
- Includes installation hardware
- 4-hole (-4), 3-hole (-3), or single-hole (-1)
- 33" (83.8 cm) x 22" (55.9 cm) x 8" (20.3 cm)

SELF-RIMMING KITCHEN SINK K-3371



Codes/Standards Applicable

Specified model meets or exceeds the following:

- ASME A112.19.3/CSA B45.4

Colors/Finishes

- NA: None applicable

Accessories:

- CP: Polished Chrome
- ST: Stainless Steel
- NA: None applicable
- Other: Refer to Price Book for additional colors/finishes

Specified Model

Model	Description	Colors/Finishes
K-3371-4	4-hole sink	<input type="checkbox"/> NA
K-3371-3	3-hole sink	<input type="checkbox"/> NA
K-3371-1	Single-hole sink	<input type="checkbox"/> NA

Optional Accessories		
K-3119	Hardwood cutting board (for either basin)	<input type="checkbox"/> NA
K-3129	Stainless steel bottom basin rack (for either basin)	<input type="checkbox"/> ST
K-8801	Duostrainer® sink strainer	<input type="checkbox"/> CP <input type="checkbox"/> Other_____
K-8813	Stainless steel sink strainer with tailpiece	<input type="checkbox"/> CP
K-8814	Stainless steel sink strainer less tailpiece	<input type="checkbox"/> CP

Product Specification:

The self-rimming kitchen sink shall be 33" (83.8 cm) in length, 22" (55.9 cm) in width, and 8" (20.3 cm) in depth. Sink shall be made of 18 gauge stainless steel. Sink shall be double (equal) compartment. Sink shall be 4-hole (-4), 3-hole (-3), or single-hole (-1). Sink shall include installation hardware. Sink shall be Kohler Model K-3371-_____.

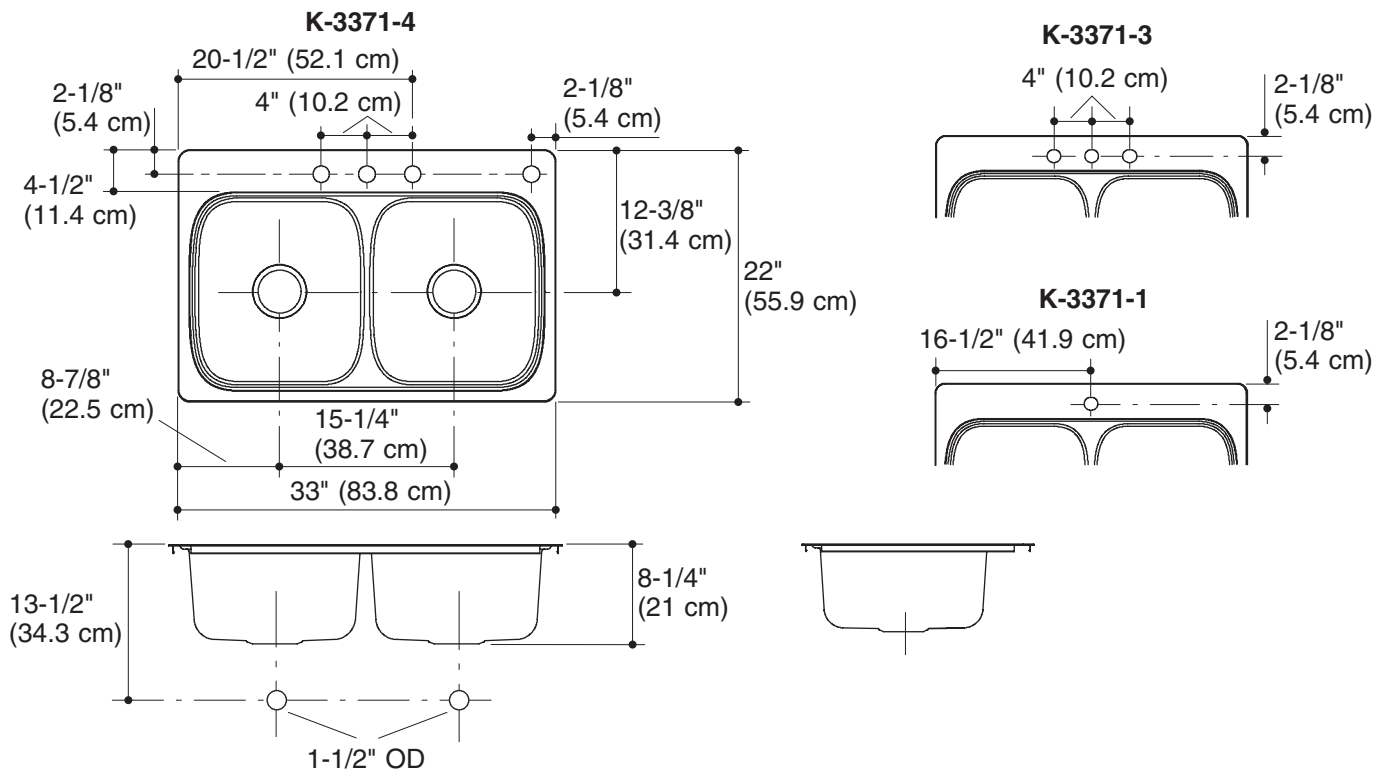
Technical Information

Fixture*:	Basin area	Water depth
Sink	14-1/4" (36.2 cm) x 15-3/4" (40 cm)	8" (20.3 cm)
Drain holes	3-5/8" (9.2 cm) D.	
Faucet holes	1-7/16" (3.7 cm) D.	
* Approximate measurements for comparison only.		
Included component:		
Fastener pack	1023180	

Installation Notes

Install this product according to the installation guide.

Cutout is 32-1/2" (82.6 cm) x 21-1/2" (54.6 cm) with 3/4" (1.9 cm) radius corners.



Product Diagram