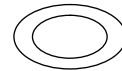
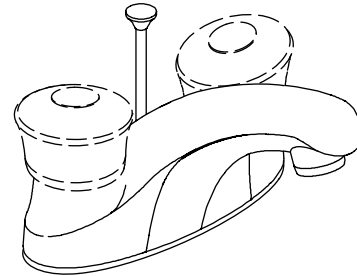


Features

- Metal construction
- For 4" (10.2 cm) centers
- 4-1/4" (10.8 cm) spout reach
- 2.2 gallons (8.3 L) per minute maximum flow rate
- Lower flow aerator options are available (refer to the Kohler Price Book)
- Pop-up drain with lift rod and tailpiece
- Sculptured acrylic or ADA compliant lever handles
- Complements Coralais® Suite



Codes/Standards Applicable

Specified model meets or exceeds the following:

- ASME A112.18.1/CSA B125.1
- IAPMO/cUPC
- NSF 61
- Energy Policy Act of 1992
- ADA



Colors/Finishes

- CP: Polished Chrome
- Other: Refer to Price Book for additional colors/finishes

Accessories

- CP: Polished Chrome
- Other: Refer to Price Book for additional colors/finishes

Specified Model

Model	Description				
K-15241-4	Lavatory faucet – ADA compliant lever handles	<input type="checkbox"/> CP	<input type="checkbox"/> Other _____		
K-15241-7	Lavatory faucet – sculptured acrylic handles (shown)			<input type="checkbox"/> CP	<input type="checkbox"/> Other _____

Recommended Accessories					
K-13430	Towel bar, 18" (45.7 cm)	<input type="checkbox"/> CP	<input type="checkbox"/> Other _____		
K-13431	Towel bar, 24" (61 cm)	<input type="checkbox"/> CP	<input type="checkbox"/> Other _____		
K-13433	Robe hook	<input type="checkbox"/> CP	<input type="checkbox"/> Other _____		
K-13434	Tissue holder	<input type="checkbox"/> CP	<input type="checkbox"/> Other _____		
K-13435	Towel ring	<input type="checkbox"/> CP	<input type="checkbox"/> Other _____		

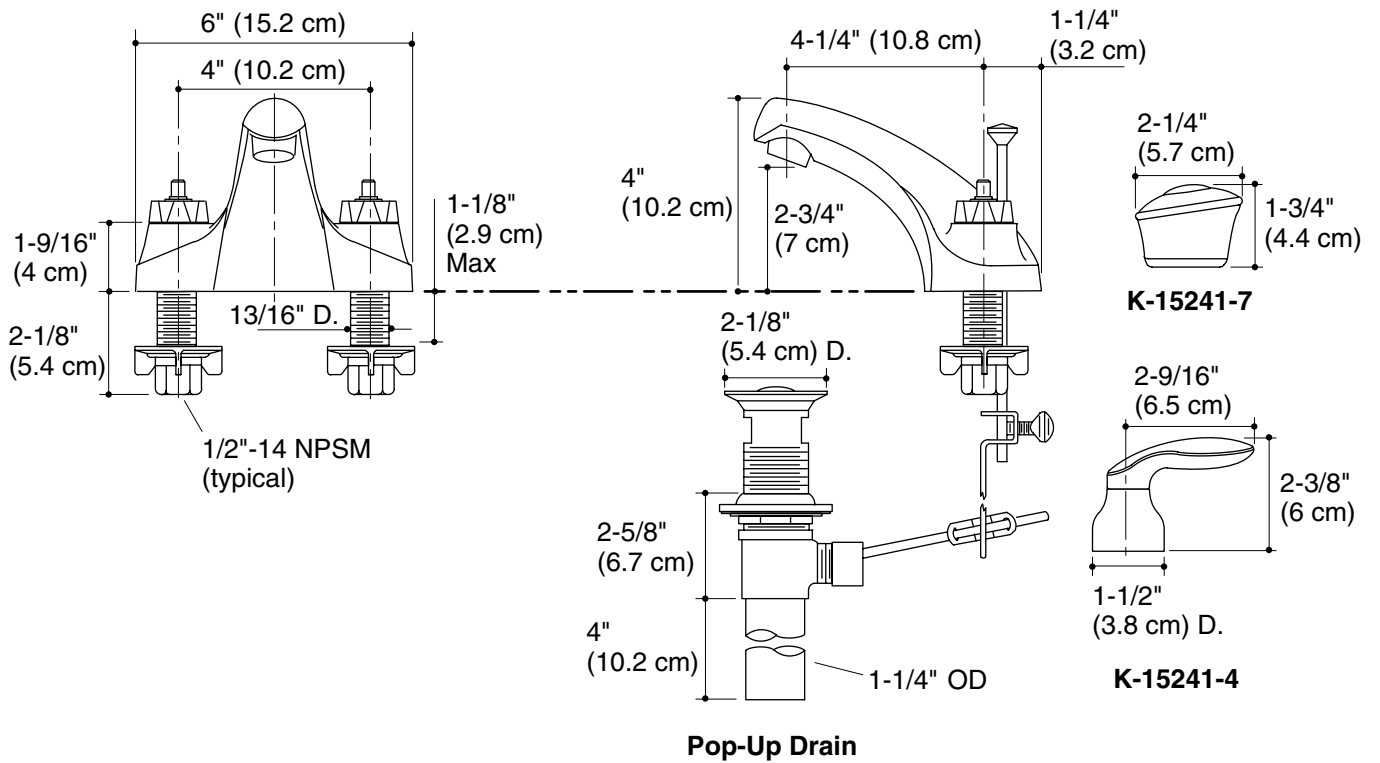
PRODUCT SPECIFICATION

The two-handle centerset lavatory faucet shall be of metal construction. Product shall be for 4" (10.2 cm) centers. Product shall feature a 4-1/4" (10.8 cm) spout reach. Product shall include a pop-up drain with lift rod and tailpiece. Product shall have a 2.2 gallon (8.3 liter) per minute maximum flow rate with lower flow aerator options available (refer to the Kohler Price Book). Product shall be available with sculptured acrylic or ADA compliant lever handles. Product shall complement the Coralais Suite. Faucet shall be Kohler Model K-15241-_____-_____.

CORALAIS®

Installation Notes

Install this product according to the installation guide.



Product Diagram