

STEAM GENERATOR K-1652

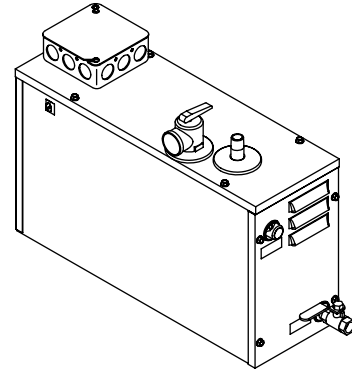
Features

- 3 year warranty
- Steam generators can be installed up to 25' (7.6 m) away from steam bath area

Codes/Standards Applicable

Specified model meets or exceeds the following:

- UL 499
- CAN/CSA C22.2 No. 88



Colors/Finishes

- NA: None applicable

Accessories

- CP: Polished Chrome
- PB: Vibrant® Polished Brass
- Other: Refer to Price Book for additional colors/finishes

Specified Model

| Model | Description | Colors/Finishes | | |
|-----------------------------|------------------------------|-----------------------------|-----------------------------|-------------------------------------|
| K-1652 | 5 kW steam generator | <input type="checkbox"/> NA | | |
| Required Accessories | | | | |
| K-1663 | Steam head and control panel | <input type="checkbox"/> CP | <input type="checkbox"/> PB | <input type="checkbox"/> Other_____ |

Product Specification

The 5 kW steam generator shall have a three-year warranty. Product may be installed up to 25' (7.6 m) away from the steam bath area. Steam generator shall be Kohler Model K-1652.

Technical Information

| | |
|-------------------------------|--|
| Water and drain requirements: | |
| Water supply | 3/8" line, 3/8" NPT female thread |
| Steam line | 1/2" copper line, 1/2" NPT female thread |
| Pressure relief valve | 3/4" NPT male thread, valve supplied |
| Drain line | 3/8" line, 3/8" NPT male thread, ball valve supplied |
| Generator: | |
| Weight | 19-1/2 lbs (8.8 kg) |
| Electrical rating | 230 V, 26 A, 50/60 Hz |

Required Electrical Service

| | |
|-----------------------------|---------------------------|
| Dedicated circuit required: | |
| Generator | 208-230 V, 30 A, 50/60 Hz |

Installation Notes

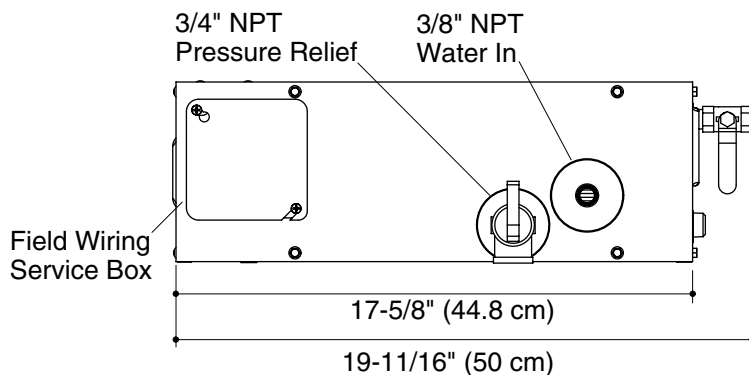
Install this product according to the installation guide.

Fixture dimensions are nominal.

Factory sized: L x H x W = cubic feet. Choose the appropriate model. For every foot of ceiling height over 8 ft (2.4 cm), use the next larger steam unit. Always round your measurements up. Wall material is irrelevant for sizing.

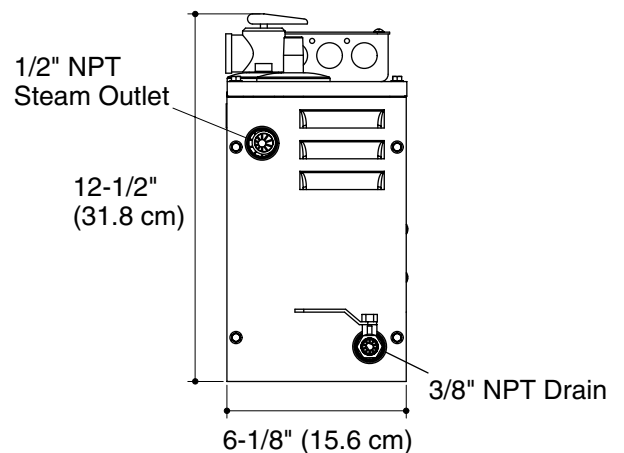
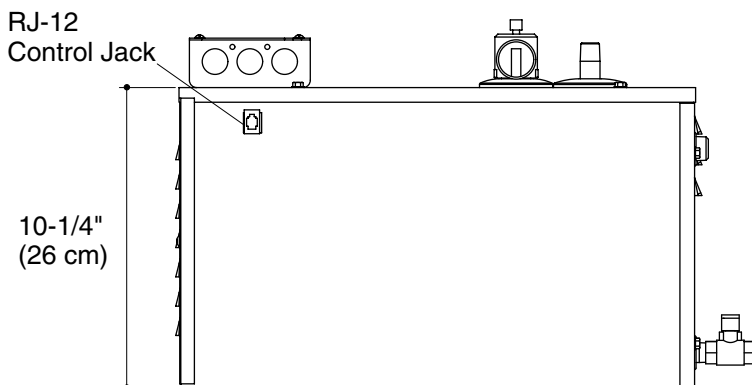
For this steam generator, enclosure shall not exceed the maximum volume rating:

| Steam generator model | Power rating | Maximum volume rating |
|-----------------------|--------------|-----------------------|
| K-1652 | 5 kW | 56 cu ft (1.6 cu m) |



Minimum required access panel is 20" (50.8 cm) L x 13" (33 cm) H x 6-1/2" (16.5 cm) W.

Minimum required air space on all sides is 12" (30.5 cm).



Product Diagram