

UNDERCOUNTER LAVATORY K-2297

ADA

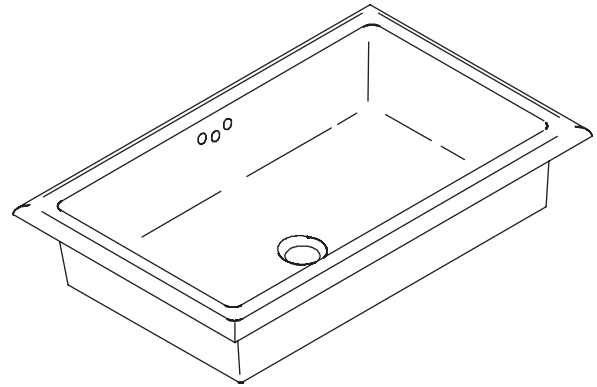
Features

- Vitreous china
- Undercounter
- With overflow
- Includes 52047 clamp assembly
- With or without glazed underside
- 21" (53.3 cm) x 13" (33 cm)

Codes/Standards Applicable

Specified model meets or exceeds the following:

- ADA
- ASME A112.19.2/CSA B45.1
- ICC/ANSI A117.1



Colors/Finishes

- 0: White
- Other: Refer to Price Book for additional colors/finishes

Accessories:

- CP: Polished Chrome
- Other: Refer to Price Book for additional colors/finishes

Specified Model

Model	Description	Colors/Finishes	
K-2297	Lavatory	<input type="checkbox"/> 0 White	<input type="checkbox"/> Other _____
K-2297-G	Lavatory with glazed underside	<input type="checkbox"/> 0 White	<input type="checkbox"/> Other _____
Recommended Accessories			
K-8998	P-Trap	<input type="checkbox"/> CP	<input type="checkbox"/> Other _____

Product Specification:

The undercounter lavatory shall be 21" (53.3 cm) in length and 13" (33 cm) in width. Lavatory shall be made of vitreous china. Lavatory shall have a glazed underside (K-2297-G) or without a glazed underside (K-2297). Lavatory shall have overflow, and shall include clamp assembly. Lavatory shall be Kohler Model K-2297-_____.

Technical Information

Fixture:*	Basin area	Water depth
Lavatory	21" (53.3 cm) x 13" (33 cm)	3" (7.6 cm)
Drain hole	1-3/4" (4.4 cm) D.	
* Approximate measurements for comparison only.		

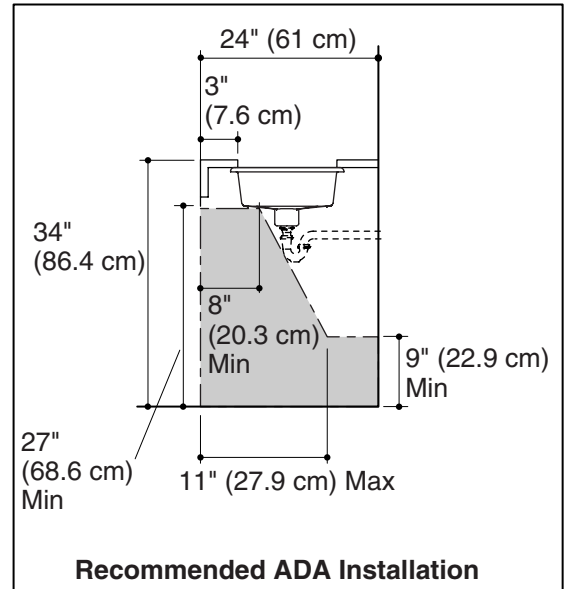
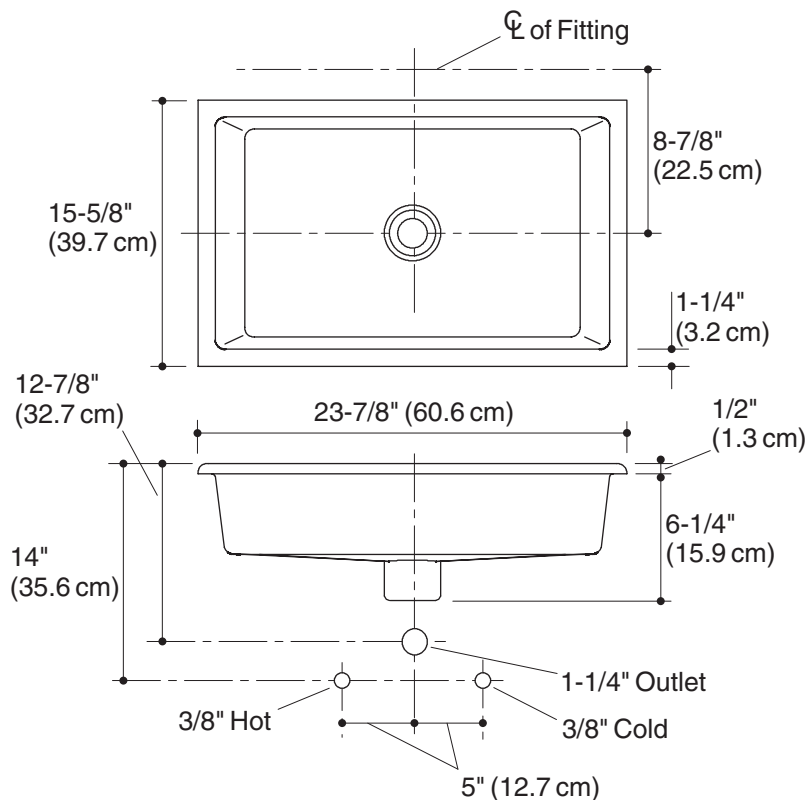
Included components:	
Basin clamp assembly	52047
Cut-out template	1041454-7

Installation Notes

Install this product according to the installation guide.

Select a faucet with a minimum spout reach of 4-5/8" (11.7 cm). Refer to the faucet rough-in dimensions to ensure the spout will reach over the lavatory rim into the basin.

NOTICE: Countertop manufacturer or cutter **must** use the cut-out template provided with the product, or a current one provided by Kohler Co. (Call 1-800-43-FOCUS to order.) Kohler Co. is not responsible for cutout errors when the incorrect cut-out template is used.



Product Diagram