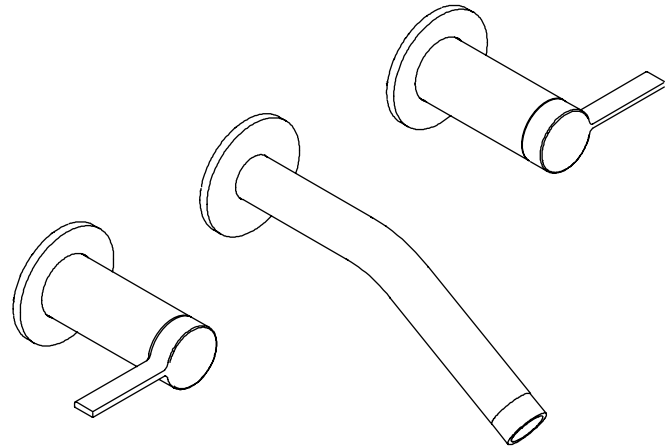


**Features**

- Brass construction
- Dual control wall-mounted
- Lever handles
- 2.2 gallons (8.3 L) per minute maximum flow rate
- Lower flow aerator options are available (refer to the Kohler Price Book)

**WALL-MOUNT FAUCET TRIM  
K-T944-4**

ADA



**Codes/Standards Applicable**

Specified model meets or exceeds the following:

- ADA
- IAPMO/cUPC
- ASME A112.18.1/CSA B125.1
- NSF 61
- Energy Policy Act of 1992

**Colors/Finishes**

- CP: Polished Chrome
- Other: Refer to Price Book for additional colors/finishes

**Accessories:**

- CP: Polished Chrome
- NA: None applicable
- Other: Refer to Price Book for additional colors/finishes

**Specified Model**

Model	Description	Colors/Finishes	
K-T944-4	Wall-mount faucet trim	<input type="checkbox"/> CP	<input type="checkbox"/> Other_____
<b>Required Accessories</b>			
K-410-K	Wall-mount valve	<input type="checkbox"/> NA	
<b>Optional Accessories</b>			
K-7702	Pop-up lavatory drain	<input type="checkbox"/> CP	<input type="checkbox"/> Other____
K-7710	Lavatory drain	<input type="checkbox"/> CP	<input type="checkbox"/> Other____
K-7715	Lavatory grid drain	<input type="checkbox"/> CP	<input type="checkbox"/> Other____
K-8801	Duostrainer® sink strainer	<input type="checkbox"/> CP	<input type="checkbox"/> Other____
1008176	Rough-in kit	<input type="checkbox"/> NA	

**Product Specification**

Dual-control wall-mounted faucet shall be of brass construction. Faucet shall include lever handles. Faucet shall have a 2.2 gallons (8.3 L) per minute flow rate. Faucet shall have lower flow aerator options available (refer to the Kohler Price Book). Faucet shall be Kohler Model K-T944-4-\_\_\_\_\_.

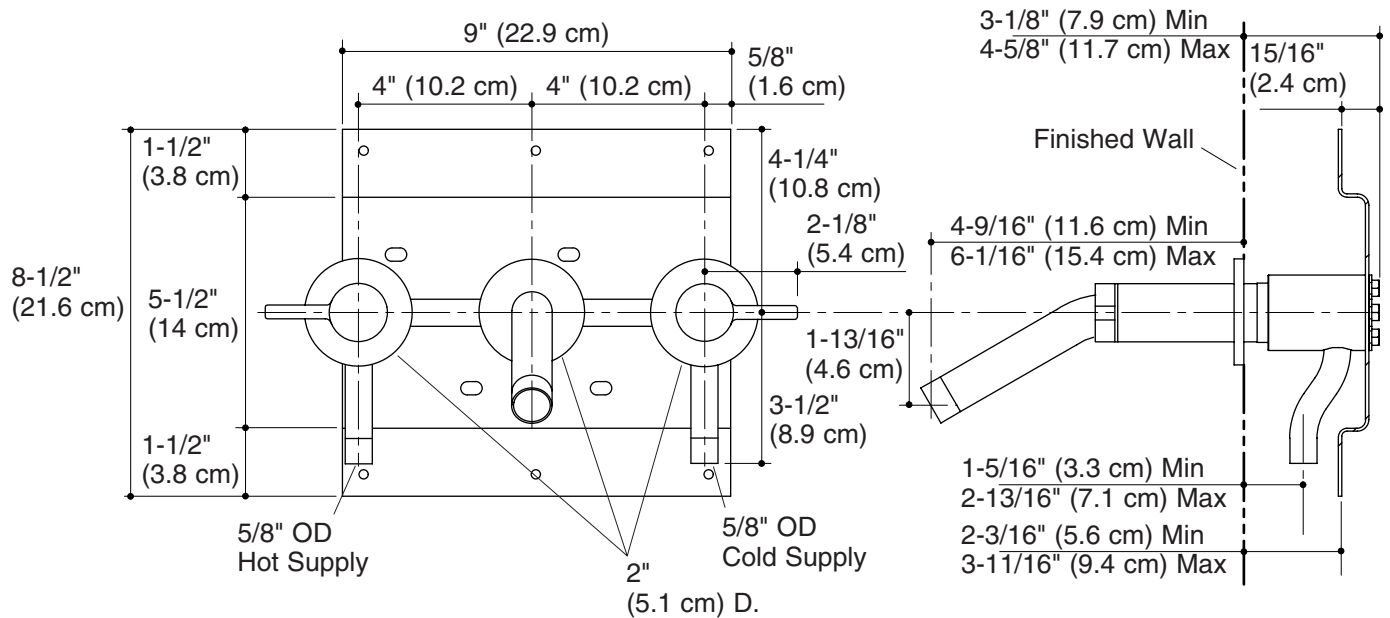
# STILLNESS®

## Installation Notes

Install this product according to the installation guide.

A minimum of 4" (10.2 cm) must be maintained between the bottom of the spout and the top of the fixture rim.

Three 1-1/2" (3.8 cm) D. holes are required for the spout and handles.



## Product Diagram