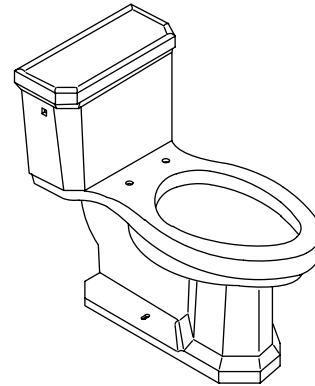


Features

- Vitreous china
- One-piece
- Comfort Height™
- Elongated bowl
- 1.6 gpf (6 lpf)
- 12" (30.5 cm) rough-in
- Concealed trapway
- ADA compliant when installed following installation notes
- Less trim and supply
- 10-1/2" (26.7 cm) x 9" (22.9 cm) water area
- 27-3/4" (70.5 cm) x 17-1/2" (44.5 cm) x 28-1/4" (71.8 cm)



Codes/Standards Applicable

Specified model meets or exceeds the following:

- ADA
- ASME A112.19.2
- Energy Policy Act of 1992
- IAPMO/UPC
- CSA B45.0
- CSA B45.1
- CSA International
- ICC/ANSI A117.1

Colors/Finishes

- 0: White
- Other: Refer to Price Book for additional colors/finishes

Accessories

- 0: White
- CP: Polished Chrome
- PB: Vibrant® Polished Brass
- Other: Refer to Price Book for additional colors/finishes

Specified Model

Model	Description	Colors/Finishes	
K-3324	Elongated bowl toilet	<input type="checkbox"/> 0	<input type="checkbox"/> Other_____
Recommended Accessories			
K-7637	Angle supply with stop – 3/8" NPT	<input type="checkbox"/> CP	<input type="checkbox"/> PB <input type="checkbox"/> Other_____
Optional Accessories			
K-4650	Lustra™ elongated open-front toilet seat - for ADA compliance	<input type="checkbox"/> 0	<input type="checkbox"/> Other_____
K-9451	Kathryn® trip lever	<input type="checkbox"/> CP	<input type="checkbox"/> Other_____

Product Specification

The elongated one-piece compact toilet shall be made of vitreous china. Toilet shall be 27-3/4" (70.5 cm) in length, 17-1/2" (44.5 cm) in width, and 28-1/4" (71.8 cm) in height with a 10-1/2" (26.7 cm) x 9" (22.9 cm) water area. Toilet shall be 12" (30.5 cm) rough-in, and 1.6 gpf (6 lpf). Toilet shall have concealed trapway. Toilet shall be ADA compliant (when installed following installation notes). Toilet shall be less trim and supply. Toilet shall be Kohler Model K-3324-_____.

KATHRYN® COMFORT HEIGHT™

Technical Information

Fixture:	
Configuration	one-piece, compact elongated
Water per flush	1.6 gal (6 L)
Passageway	2" (5.1 cm)
Water area	10-1/2" (26.7 cm) x 9" (22.9 cm)
Water depth from rim	6" (15.2 cm)
Seat post hole centers	5-1/2" (14 cm)

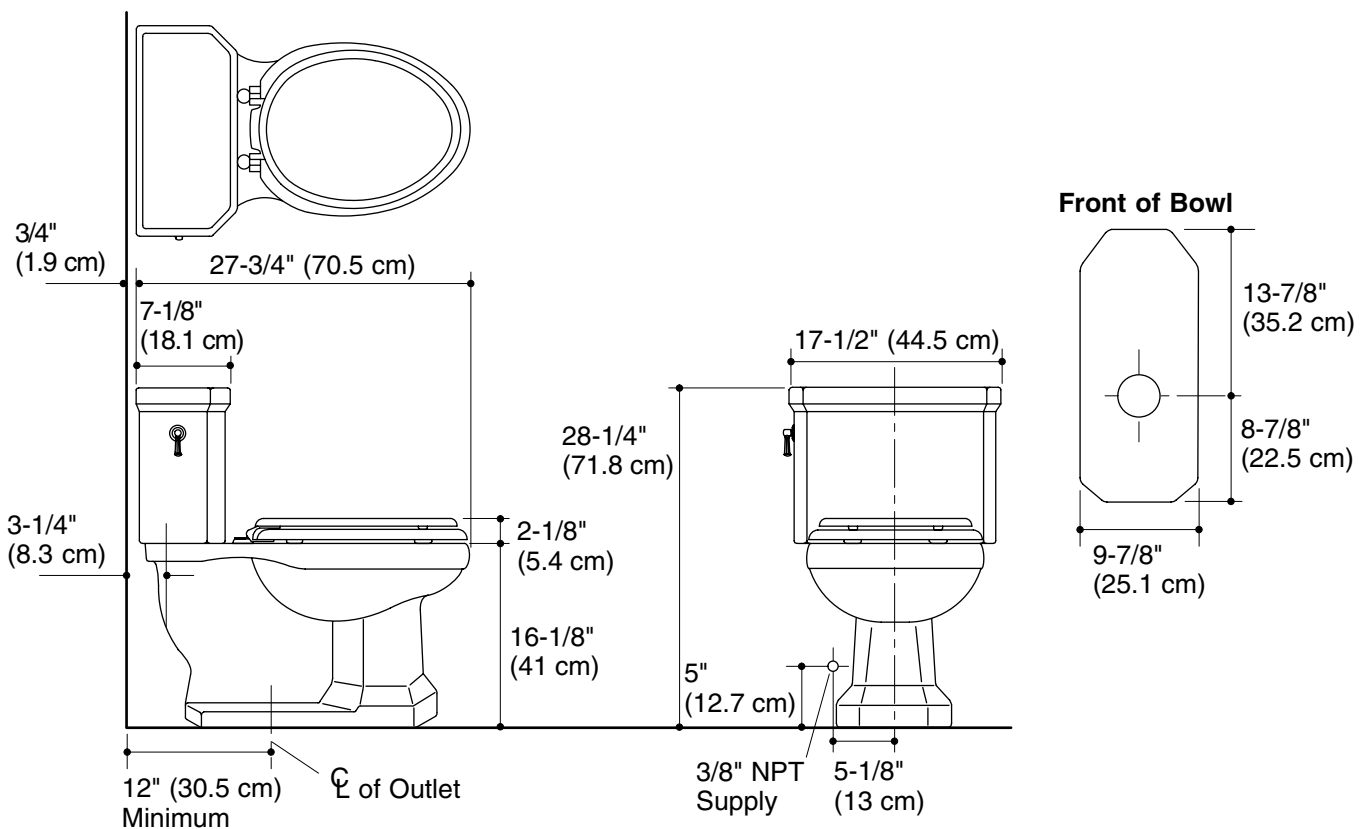
Included components:	
Tank cover	1006066
Bolt cap accessory pack	1013092
Tank accessory pack	52265

Installation Notes

Install this product according to the installation guide.

Will comply with the American Disabilities Act (ADA) when installed per the requirements of the Accessibility Guidelines, Section 604 Water Closets, of the Act, which include the installation of an open front seat.

Section 604 states the required height of the toilet is 17" (43.2 cm) to 19" (48.3 cm) from the floor to the top of the seat to meet ADA requirements.



Product Diagram