

**SHOWER FAUCET TRIM
K-T15611**

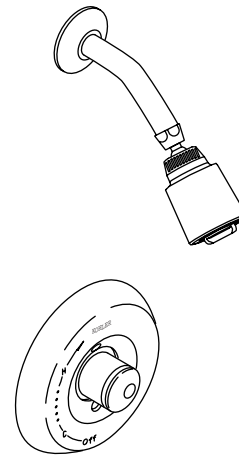
Features

- Metal construction
- Includes showerhead with arm and flange, faceplate, and acrylic handle

Codes/Standards Applicable

Specified model meets or exceeds the following:

- ASME A112.18.1/CSA B125.1
- IAPMO/cUPC



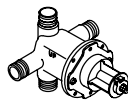
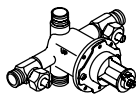
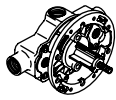
Colors/Finishes

- CP: Polished Chrome
- PB: Vibrant® Polished Brass
- Other: Refer to Price Book for additional colors/finishes

Accessories:

- NA: None applicable

Specified Model

Model	Description	Colors/Finishes		
K-T15611-7	Shower faucet trim with acrylic handle	<input type="checkbox"/> CP	<input type="checkbox"/> PB	<input type="checkbox"/> Other _____
Required Accessories				
K-304-K	Rite-Temp® valve without stops OR	<input type="checkbox"/> NA		
K-304-KS	Rite-Temp® valve with stops OR		<input type="checkbox"/> NA	
K-306-KS	HiFlow Rite-Temp® valve with integral stops OR			<input type="checkbox"/> NA
K-308-K	Non-pressure balancing valve without stops OR	<input type="checkbox"/> NA		
K-308-KS	Non-pressure balancing valve with stops		<input type="checkbox"/> NA	
Recommended Accessories				
88526	HiFlow Rite-Temp® thin wall installation kit	<input type="checkbox"/> CP	<input type="checkbox"/> PB	

Product Specification

Single-control shower faucet trim shall be of metal construction. Product shall include showerhead with arm and flange, and faceplate with acrylic handle. Faucet trim shall be Kohler Model K-T15611-7-_____ and mixing valve shall be Kohler Model K-_____-_____-NA.

CORALAIS®

Installation Notes



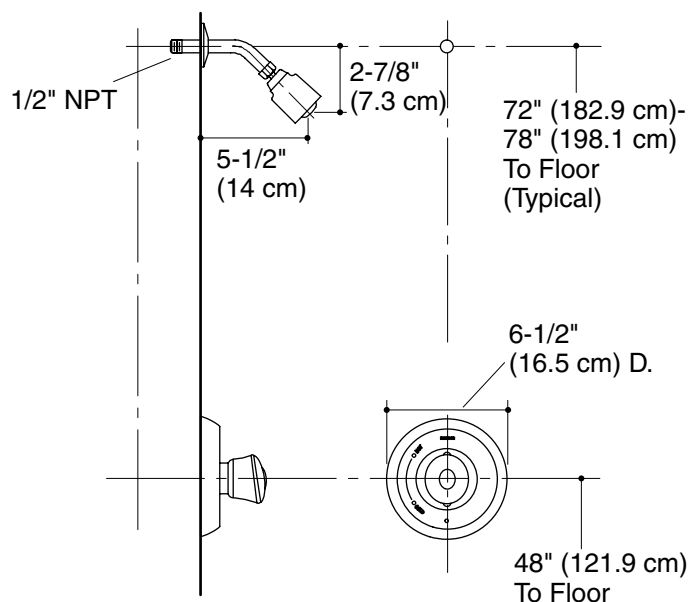
WARNING: Risk of damage to the K-306-KS valve assembly. When using the K-306-KS valve in a fiberglass or acrylic installation, use the thin wall installation kit (88526).

Install this product according to the installation guide.

Avoid cross-flow conditions. Do not install shut-off device on either valve outlet.

Cap shower outlet if deck-mount spout, diverter, or handshower is connected to spout outlet.

Install straight pipe or tube drop of 7" (17.8 cm) to 18" (45.7 cm) with single elbow between valve and wall-mount spout.



Product Diagram