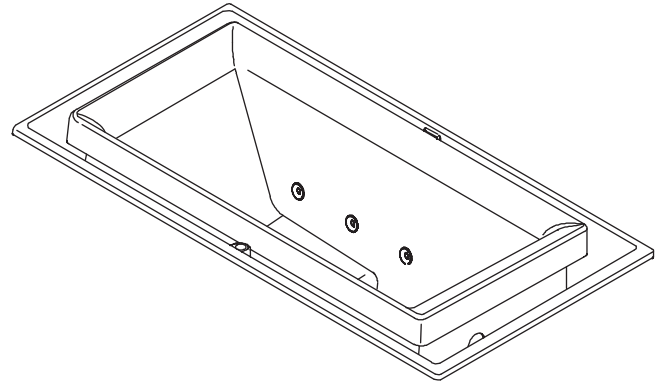


Features

- *Fiberglass (FRP)*
- *Cascading water over rim*
- *23-1/2" (59.7 cm) ultra deep bathing well*
- *Effervescent bubbles*
- *11 effervescent ports*
- *2.3 kw (240 V) heater*
- *Quiet 1/4 hp (240 V) pump*
- *Available with or without lights*
- *Automatic shutdown*
- *Adjustable bath leveling system*
- *Left or right drain*
- *Raised molded seat*
- *75" (190.5 cm) x 41" (104.1 cm) x 25" (63.5 cm)*

OVERFLOWING BATH K-1188 ALSO K-1189



Codes/Standards Applicable

Specified model meets or exceeds the following:

- *ASME A112.19.7*
- *IAPMO/UPC*
- *Underwriter's Laboratories (UL)*
- *ANSI Z124.1*

Colors/Finishes

- *0: White*
- *Other: Refer to Price Book for additional colors/finishes*

Accessories:

- *G: Brushed Chrome*
- *Other: Refer to Price Book for additional colors/finishes*

Specified Model

Model	Description	Colors/Finishes	
K-1188	Right drain outlet	<input type="checkbox"/> 0 White	<input type="checkbox"/> Other_____
K-1188-CT	Right drain outlet with lights (shown)	<input type="checkbox"/> 0 White	<input type="checkbox"/> Other_____
K-1189	Left drain outlet	<input type="checkbox"/> 0 White	<input type="checkbox"/> Other_____
K-1189-CT	Left drain outlet with lights	<input type="checkbox"/> 0 White	<input type="checkbox"/> Other_____

Recommended Accessories

K-7193	Drain	<input type="checkbox"/> G	<input type="checkbox"/> Other_____
--------	-------	----------------------------	-------------------------------------

Product Specification

The overflowing bath shall be 75" (190.5 cm) in length, 41" (104.1 cm) in width, and 25" (63.5 cm) in height with ultra deep bathing well of 23-1/2" (59.7 cm). Product shall be made of fiberglass (FRP). Product shall feature cascading water over rim, effervescent bubbles, 11 effervescent ports, and raised molded seat. Product shall include a 2.3 kw heater (240 V), quiet 1/4 hp pump (240 V), automatic shutdown, and adjustable bath leveling system. Product shall be available with a left or right drain outlet and lights. Overflowing bath shall be Kohler Model K-____-____-_____.

Technical Information

Fixture:*	
Bathing Well	
Basin area bottom	45" (114.3 cm) x 25-1/2" (64.8 cm)
Basin area top	63 (160 cm) x 25-1/2" (80 cm)
Weight	245 lbs. (111 kg)
Capacity	142 gal. (538 L)
To Overflow	
Water Depth	23-1/2" (59.7 cm)
* Approximate measurements for comparison only.	

Pump	Heater	Voltage	Frequency	Amperage
1.5 hp	2.3kw	240 V	60 Hz	12 A

Cut-out Template	73-1/2" (186.7 cm) x 39-1/2" (100.3 cm)
------------------	---

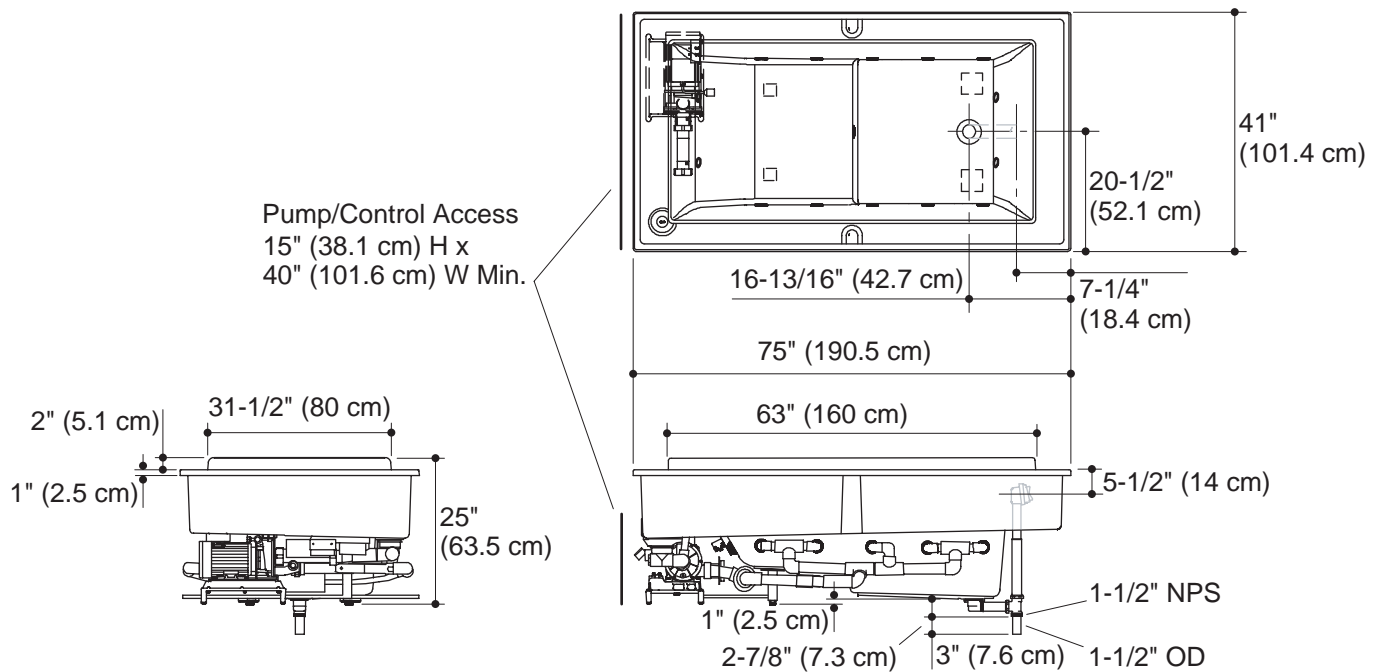
Required Electrical Service

Dedicated circuit required, protected with Class A Ground-Fault Circuit-Interrupter (GFCI):	
Pump/control	240 V, 20 A, 60 Hz

Installation Notes

Install this product according to the installation guide.
 An access panel for the pump/control is required.
 Floor support under whirlpool must provide for a minimum of 80 lbs. per square foot (390 kg per square meter) loading.
 Consult local and national codes for minimum air gap requirements when installing a spout on the faucet deck.
 Unit requires a minimum of two 40 gal. (151 L) water heaters.
 Unit must be filled through bathing well.

No change in measurements with drain shown. (K-7193 or K-7193M)



Product Diagram