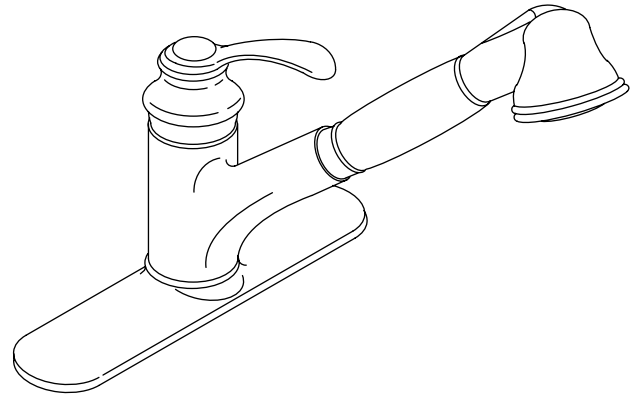


**PULL-OUT KITCHEN SINK FAUCET
K-12177**

ADA

Features

- Metal construction
- One-piece, self-contained ceramic disc valve allows both volume and temperature control
- Temperature memory allows faucet to be turned on and off at any temperature setting
- High-temperature limit setting for added safety
- 9" (22.9 cm) swing spout reach
- Touch control for stream-to-spray water flow
- Integral vacuum breaker
- 10" (25.4 cm) escutcheon plate for three-hole installation
- ADA compliant lever handle
- Matching color sprayhead
- Lower flow aerator options are available (refer to the Kohler Price Book)
- 2.2 gpm (8.3 lpm) maximum flow rate



Codes/Standards Applicable

Specified model meets or exceeds the following at date of manufacture:

- ADA
- ASME A112.18.1/CSA B125.1
- ICC/ANSI A117.1
- Energy Policy Act of 1992
- NSF 61
- All applicable US Federal and State material regulations

Colors/Finishes

- CP: Polished Chrome
- Other: Refer to Price Book for additional colors/finishes

Accessories

- NA: None applicable

Specified Model

Model	Description	Colors/Finishes	
K-12177	Kitchen sink faucet	<input type="checkbox"/> CP	<input type="checkbox"/> Other ____

Optional Accessories		
1012715	Deep rough-in kit Requires 1-7/16" (3.7 cm) to 1-1/2" (3.8 cm) diameter hole to accommodate 1-1/2" (3.8 cm) to 3-3/8" (8.6 cm) thick installations.	<input type="checkbox"/> NA

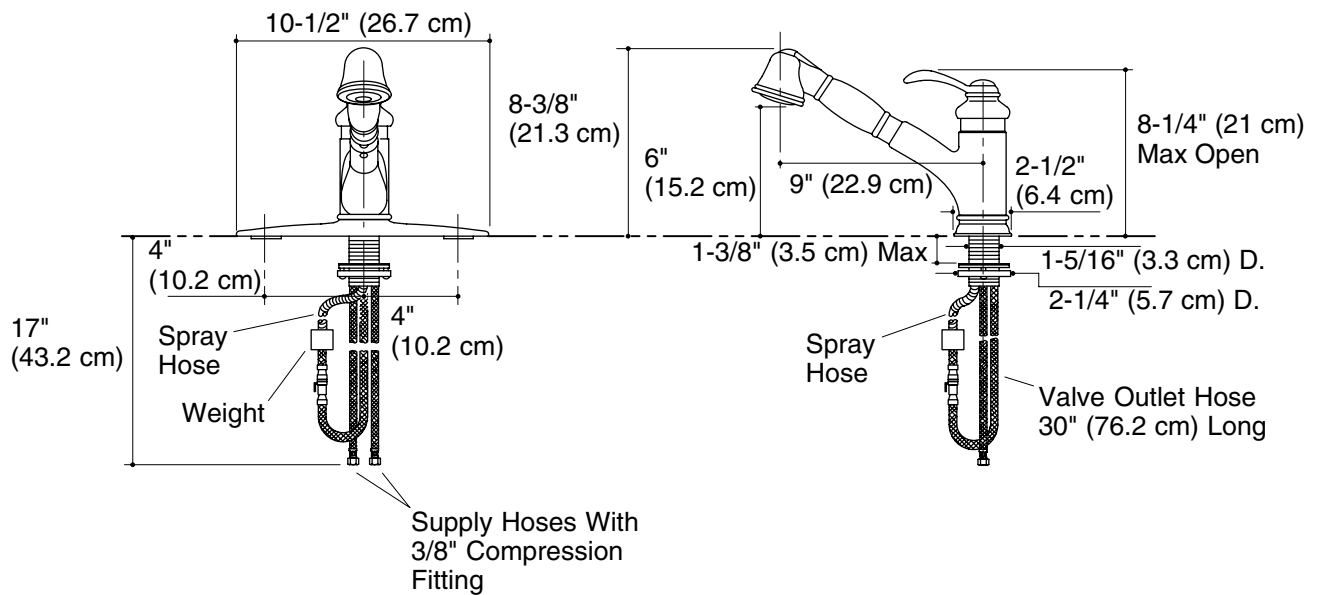
Product Specification

The single-control pull-out spray kitchen sink faucet shall be of metal construction. Product shall have a maximum flow rate of 2.2 gallons (8.3 L) per minute with lower flow aerator options available (refer to the Kohler Price Book). Product shall feature a one-piece, self-contained ceramic disc valve, which allows both volume and temperature control. Product shall feature temperature memory, allowing the faucet to be turned on and off at any temperature setting. Product shall include a high-temperature limit setting for added safety. Product shall feature a 9" (22.9 cm) swing spout reach, stream-to-spray touch control, integral vacuum breaker, and 10" (25.4 cm) escutcheon plate. Product shall feature an ADA compliant lever handle and a matching color sprayhead. Faucet shall be Kohler Model K-12177-____.

FAIRFAX®

Installation Notes

Install this product according to the installation guide.



Product Diagram