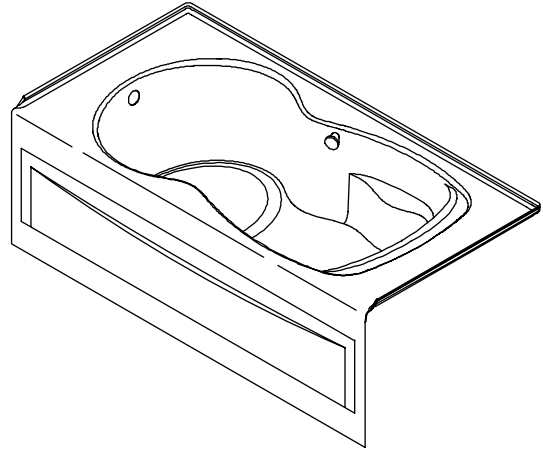


### Features

- Acrylic
- Left or right drain
- Integral tile flange
- Integral apron
- 72" (182.96 cm) x 42" (106.7 cm) x 20" (50.8 cm)
- With (K-1199) or without (K-1195) Softgrip grip handles

### 6' BATH WITH INTEGRAL APRON

**K-1195**  
ALSO K-1199



### Codes/Standards Applicable

Specified model meets or exceeds the following:

- ANSI Z124.1
- IAPMO/UPC
- CSA B45

### Colors/Finishes

- 0: White
- Other: Refer to Price Book for additional colors/finishes

### Accessories

- CP: Polished Chrome
- PB: Polished Brass
- Other: Refer to Price Book for additional colors/finishes

### Specified Model

Model	Description	Colors/Finishes		
K-1195-LA	Bath, left outlet, without Softgrip grip handles	<input type="checkbox"/> 0 White	<input type="checkbox"/> Other _____	
K-1195-RA	Bath, right outlet, without Softgrip grip handles	<input type="checkbox"/> 0 White	<input type="checkbox"/> Other _____	
K-1199-LA	Bath, left outlet, with Softgrip grip handles	<input type="checkbox"/> 0 White	<input type="checkbox"/> Other _____	
K-1199-RA	Bath, right outlet, with Softgrip grip handles	<input type="checkbox"/> 0 White	<input type="checkbox"/> Other _____	
<b>Recommended Accessories</b>				
K-7161-AF	Drain	<input type="checkbox"/> CP	<input type="checkbox"/> PB	<input type="checkbox"/> Other _____

### Product Specification:

The bath shall be 72" (182.9 cm) in length, 42" (106.7 cm) in width, and 20" (50.8 cm) in height. Bath shall be made of acrylic. Bath shall be with (K-1199) or without (K-1195) Softgrip grip handles. Bath shall have an integral apron and integral tile flange. Bath shall have a right or left drain. Bath shall be Kohler Model K-\_\_\_\_-\_\_\_\_-\_\_\_\_.

# SYNCHRONY™

## Technical Information

Fixture:*	basin area	top area	weight
Bathing well	49" (124.5 cm) x 25" (63.5 cm)	61" (154.9 cm) x 34" (86.4 cm)	80 lbs. (30 kg)
	water depth	capacity	
To overflow	14" (35.6 cm)	72 gal. (272.6 L)	

\* Approximate measurements for comparison only.


## Installation Notes

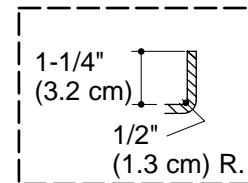
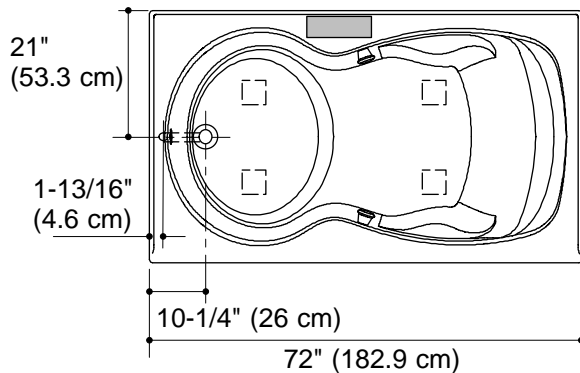
Install this product according to the installation guide.

**NOTE:** Unless otherwise specified, floor support under bath must provide for a minimum of 80 lbs./square foot (390 kg./square meter) loading.

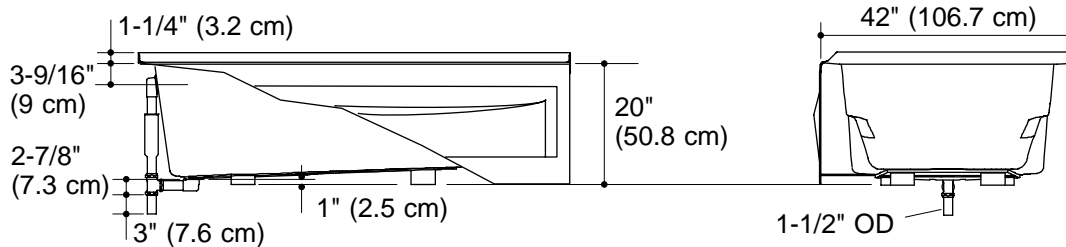
If installing a rim-mount faucet, make sure any plumbing does not interfere with the drain overflow before drilling any holes. Consult local and national codes for minimum air gap requirements if installing a spout on the faucet deck.

No change in measurements if connected with drain illustrated.

 Faucet area recommended



**Integral Flange Detail**



## Product Diagram