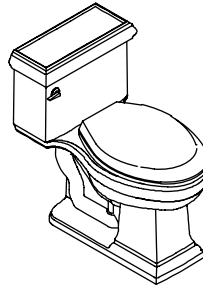


### Features

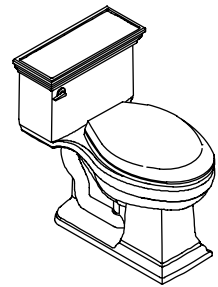
- Vitreous china
- Ingenium® flushing system
- EPDM flapper
- Polished chrome trip lever
- Includes seat and cover
- Less supply
- 12" (30.5 cm) rough-in
- 1.6 gpf (6 lpf)
- 2" (5.1 cm) glazed trapway
- 11" (27.9 cm) x 9-1/4" (23.5 cm) water area
- 27-3/4" (70.5 cm) x 17-1/2" (44.5 cm) x 28-3/8" (72.1 cm) [K-3451]
- 27-3/4" (70.5 cm) x 18-1/4" (46.4 cm) x 28-1/8" (71.4 cm) [K-3453]

### COMFORT HEIGHT® TOILET K-3451 ALSO K-3453

ADA CSA B651 OBC



K-3451



K-3453

### Codes/Standards Applicable

Specified model meets or exceeds the following:

- ADA
- ICC/ANSI A117.1
- CSA B651
- OBC
- ASME A112.19.2/CSA B45.1
- Energy Policy Act of 1992

### Colors/Finishes

- 0: White
- Other: Refer to Price Book for additional colors/finishes

### Accessories

- CP: Polished Chrome
- PB: Vibrant® Polished Brass
- Other: Refer to Price Book for additional colors/finishes

### Specified Model

Model	Description	Colors/Finishes		
K-3451	Comfort Height toilet, Classic design	<input type="checkbox"/> 0	<input type="checkbox"/> Other_____	
K-3453	Comfort Height toilet, Stately design	<input type="checkbox"/> 0	<input type="checkbox"/> Other_____	
<b>Recommended Accessories</b>				
K-7637	Angle supply with stop	<input type="checkbox"/> CP	<input type="checkbox"/> PB	<input type="checkbox"/> Other_____
<b>Optional Accessories</b>				
K-9439	Trip lever (non-CP)	<input type="checkbox"/> PB	<input type="checkbox"/> Other_____	
K-4650	Lustra™ elongate open front toilet seat – for Accessibility compliance	<input type="checkbox"/> 0	<input type="checkbox"/> Other_____	

### Product Specification

The elongated bowl toilet shall be made of vitreous china. Toilet shall be 12" (30.5 cm) rough-in. Toilet shall be 1.6 gpf (6 lpf) with Ingenium® flushing system. Toilet shall have 2" (5 cm) glazed trapway. Toilet shall have 11" (27.9 cm) x 9-1/4" (23.5 cm) water area. Toilet shall include seat and cover. Toilet shall include polished chrome trip lever. Toilet shall be less supply. Toilet shall have EPDM flapper. Toilet shall be Kohler Model K-\_\_\_\_\_-\_\_\_\_\_.

# MEMOIRS®

## Technical Information

Fixture*:	
Configuration	one-piece, elongated
Water per flush	1.6 gal (6 L)
Passageway	2" (5 cm)
Water area	11" (27.9 cm) x 9-1/4" (23.5 cm)
Water depth from rim	6" (15.2 cm)
Seat post hole centers	5-1/2" (14 cm)
* Approximate measurements for comparison only.	

Included components:	
Tank cover, Classic design <b>OR</b>	88871
Tank cover, Stately design	88872
Trip lever	K-9439
Toilet seat	K-4684
Tank accessory pack	52265
Bolt cap accessory pack	52048

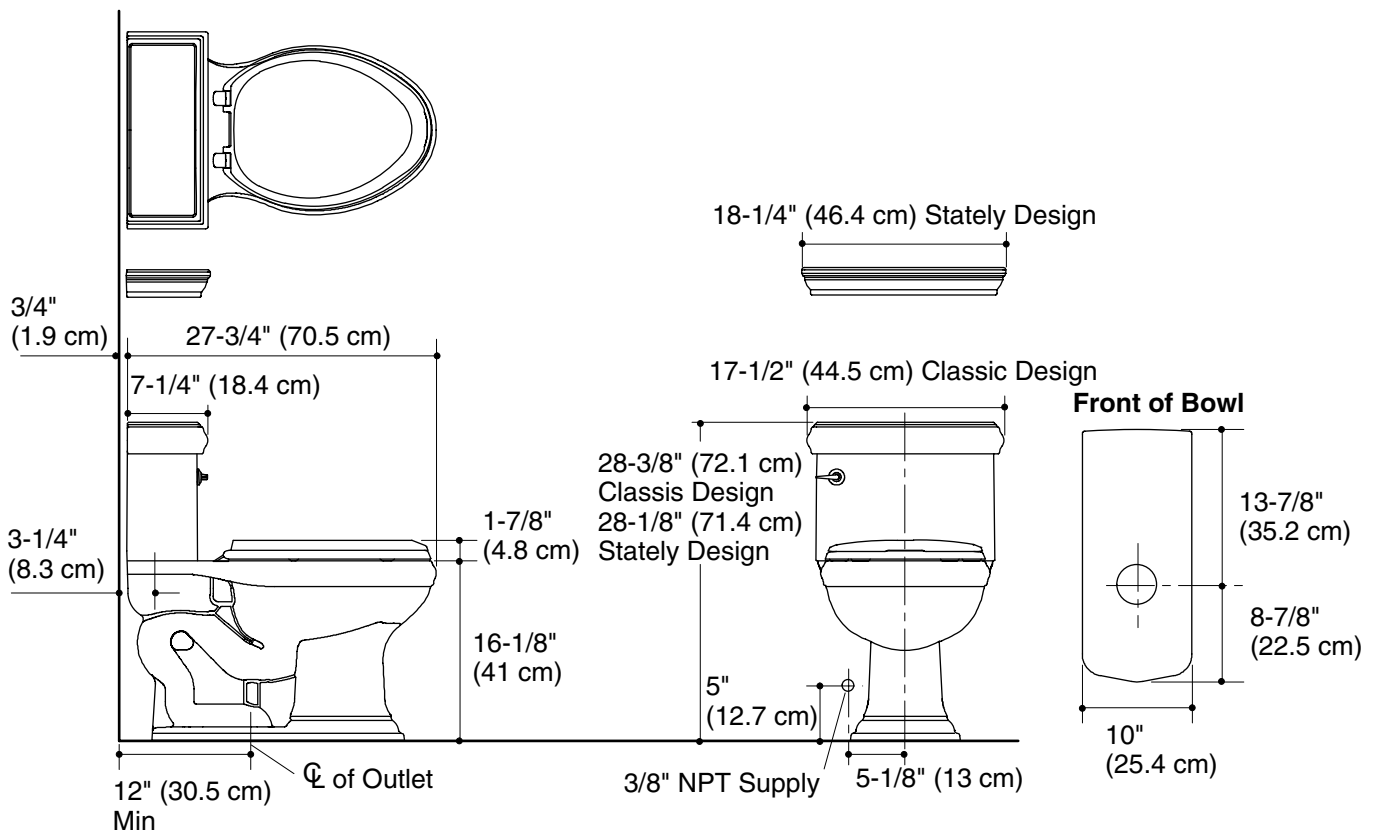
## Installation Notes

Install this product according to the installation guide.

Will comply with the American Disabilities Act (**ADA**) when installed per the requirements of the Accessibility Guidelines, Section 604 Water Closets, of the Act, which include the installation of an open front seat.

Will comply with **CSA B651** when installed per Clause 4.3.6 of the standard.

Will comply with **OBC** when installed per Clause 3.8.3.8 and 3.8.3.9.



## Product Diagram