

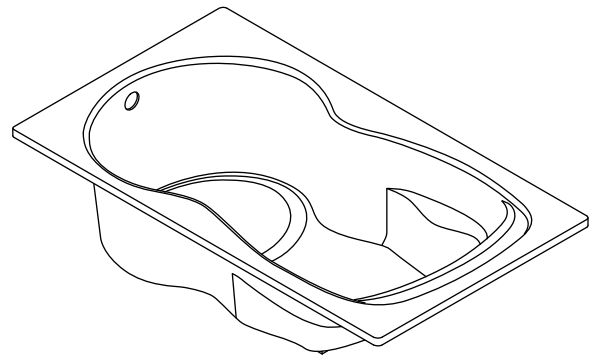
Features

- Acrylic
- Drop-in or three-wall alcove
- Optional K-1491 removable bath pillow
- Optional K-1283 separate apron
- 72" (1829 mm) x 42" (1067 mm) x 20" (508 mm)

Codes/Standards Applicable

Specified model meets or exceeds the following:

- CSA B45.5/IAPMO Z124



Colors/Finishes

- 0: White
- Other: Refer to Price Book for additional colors/finishes

Accessories:

- 0: White
- CP: Polished Chrome
- PB: Vibrant® Polished Brass
- Other: Refer to Price Book for additional colors/finishes

Specified Model

Model	Description	Colors/Finishes	
K-1195	Drop-in bath	<input type="checkbox"/> 0	<input type="checkbox"/> Other_____
K-1195-L	Bath with integral flange – left-hand drain	<input type="checkbox"/> 0	<input type="checkbox"/> Other_____
K-1195-R	Bath with integral flange – right-hand drain	<input type="checkbox"/> 0	<input type="checkbox"/> Other_____

Recommended Accessories			
K-7161-AF	Drain	<input type="checkbox"/> CP	<input type="checkbox"/> PB <input type="checkbox"/> Other_____

Product Specification

The acrylic bath shall be 72" (1829 mm) in length, 42" (1067 mm) in width, and 20" (508 mm) in height. The bath shall be drop-in or three-wall alcove installation. The bath shall have an optional K-1283 separate apron, and an optional K-1491 removable bath pillow. The bath shall be Kohler Model K-1195-_____-_____.

SYNCHRONY®

Optional Accessories

K-1283	Separate apron with removable panel for front access	<input type="checkbox"/> 0	<input type="checkbox"/> Other_____
K-1491	Pillow	<input type="checkbox"/> 0	<input type="checkbox"/> Other_____

Technical Information

Fixture*:	
Bathing well:	
Basin area, bottom	49" (1245 mm) x 25" (635 mm)
Basin area, top	61" (1549 mm) x 34" (864 mcm)
Weight	80 lbs (36.3 kg)
To overflow:	
Water depth	14" (356 mm)
Capacity	72 gal (272.5 L)
Drop-in cut-out	70" (1778 mm) x 40" (1016 mm)
* Approximate measurements for comparison only.	

Installation Notes

Install this product according to the installation guide.

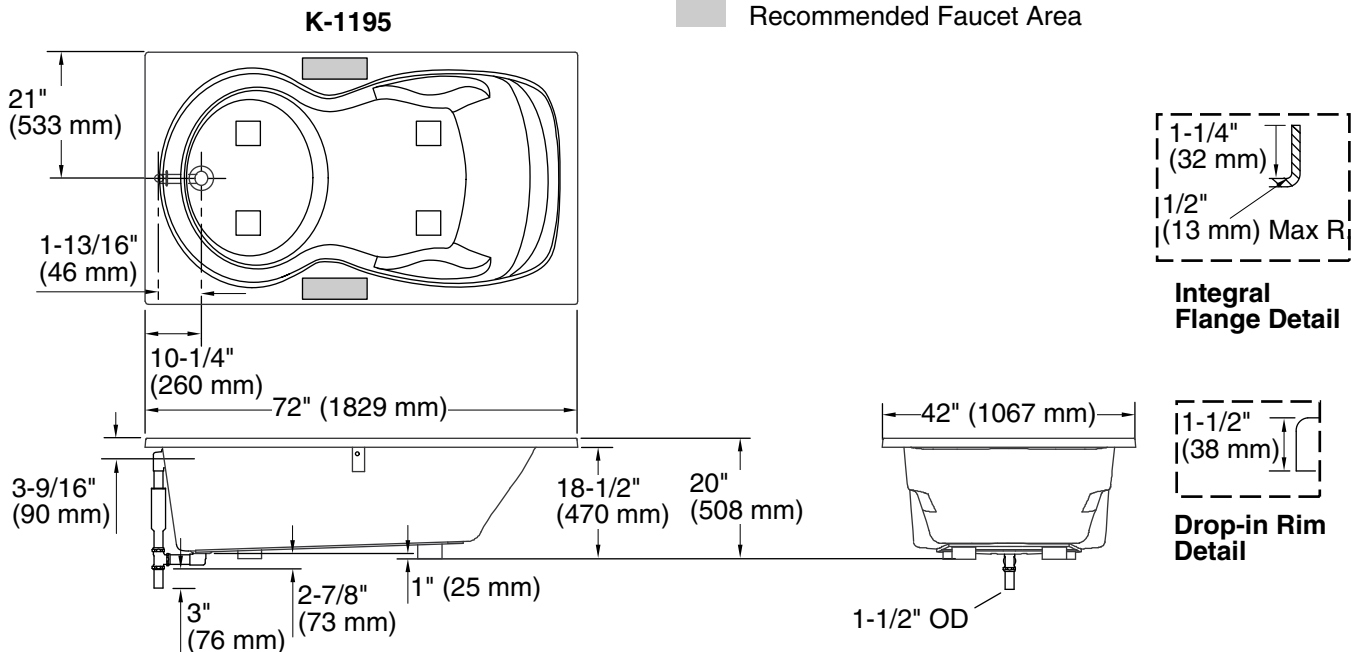
Floor support under bath must provide for a minimum of 34 lbs/square foot (164 kg/square meter) loading.

If installing a rim-mount faucet, make sure there is no interference with the drain overflow before drilling any holes. Consult local and national codes for minimum air gap requirements if installing a spout on the faucet deck.

The apron must be installed before the finished floor and wall materials are installed.

No change in measurements if connected with drain illustrated. (K-7161-AF)

 Recommended Faucet Area



Product Diagram