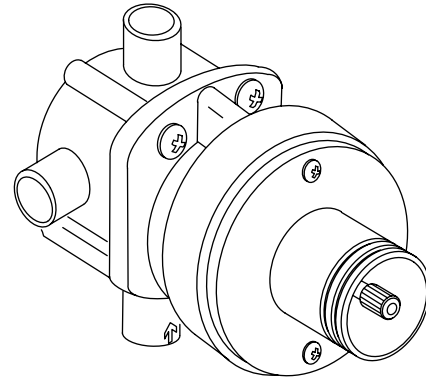


Features

- Brass construction
- Wall-mount
- Brass valve body
- 1/2" NPT inlet connection
- 1/2" NPT outlet connections
- Permits three outlets to be interconnected
- Selection of one or any two of the three outlet combinations
- Accessory for Kohler bath and shower supply valves



Codes/Standards Applicable

Specified model meets or exceeds the following:

- IAPMO/UPC
- CSA International
- CSA B125
- ASME A112.18.1

Colors/Finishes

- NA: None applicable

Accessories

- CP: Polished Chrome
- Other: Refer to Price Book for additional colors/finishes

Specified Model

Model	Description	Colors/Finishes
K-407-K	3-way transfer valve	<input type="checkbox"/> NA
Optional Accessories		
75430	Deep roughing-in kit for K-T9518 MasterShower® wall-mount 3-way diverter	<input type="checkbox"/> CP <input type="checkbox"/> Other_____

Product Specification

Wall-mount 3-way transfer valve shall be of brass construction with brass valve body. Product shall also feature 1/2" NPT inlet connection and 1/2" NPT outlet connections. Product permits three outlets to be interconnected. Product shall feature a selection of one or any two of the three outlet combinations. Product is intended for installation with any Kohler bath and shower supply valve. Transfer valve shall be Kohler Model K-407-K-NA.

MASTERSHOWER®

Installation Notes

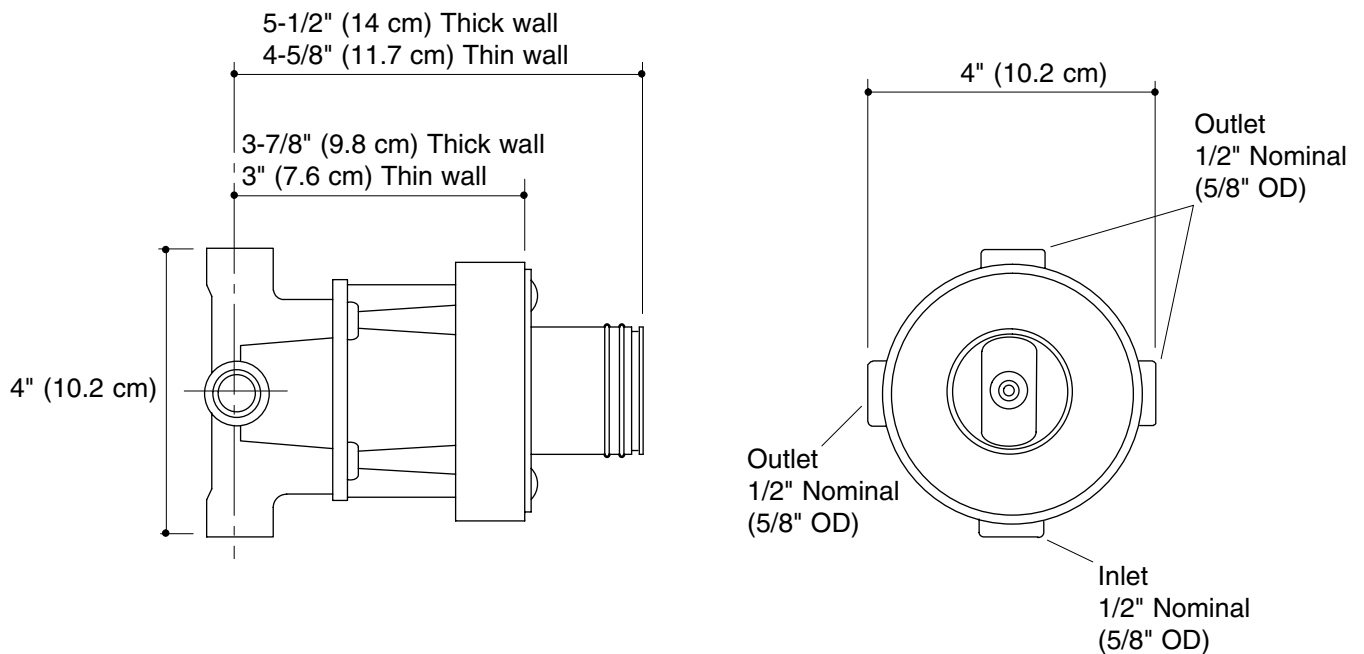
Install this product according to the installation guide.

Remove the cartridge sleeve and stem assembly before soldering. Excessive heat will damage the components.

A mixed supply is required. If less than three accessories will be connected to the diverter, provide caps for the unused ports.

Refer to installation instructions included with fixture before beginning installation.

When roughing-in with thin facing, leave plaster guard on to add stability. Do not remove the plaster guard from the valve until instructed to do so.



Product Diagram