

Features

- Brass construction
- Intended for use with Kohler non-diverter bath spouts
- Two- or three-way configuration options
- Integral dual check valves for backflow prevention
- Bath-mount or deck-mount installation options

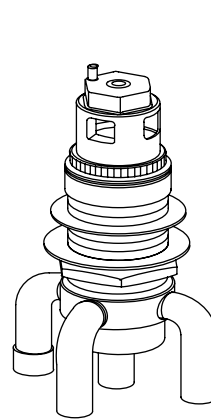
Codes/Standards Applicable

Specified model meets or exceeds the following:

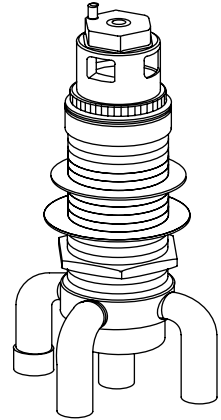
- ASME A112.18.1/CSA B125.1

TRANSFER VALVE WITH INTEGRAL CHECK VALVES

K-408-K
ALSO K-409-K



K-408-K



K-409-K

Colors/Finishes

- NA: None applicable

Specified Model

Model	Description	Colors/Finishes
K-408-K	Transfer valve with integral check valve for bath-mount installations	<input type="checkbox"/> NA
K-409-K	Transfer valve with integral check valve for deck-mount installations	<input type="checkbox"/> NA

Product Specification

The two- or three-way transfer valve shall be made of brass construction. Product is intended for use with Kohler non-diverter bath spouts. Product shall feature two- or three-way configuration options, and integral dual check valves for backflow prevention. Optional feature shall be bath-mount or deck-mount installation. Transfer valve shall be Kohler Model K-_____-K-NA.

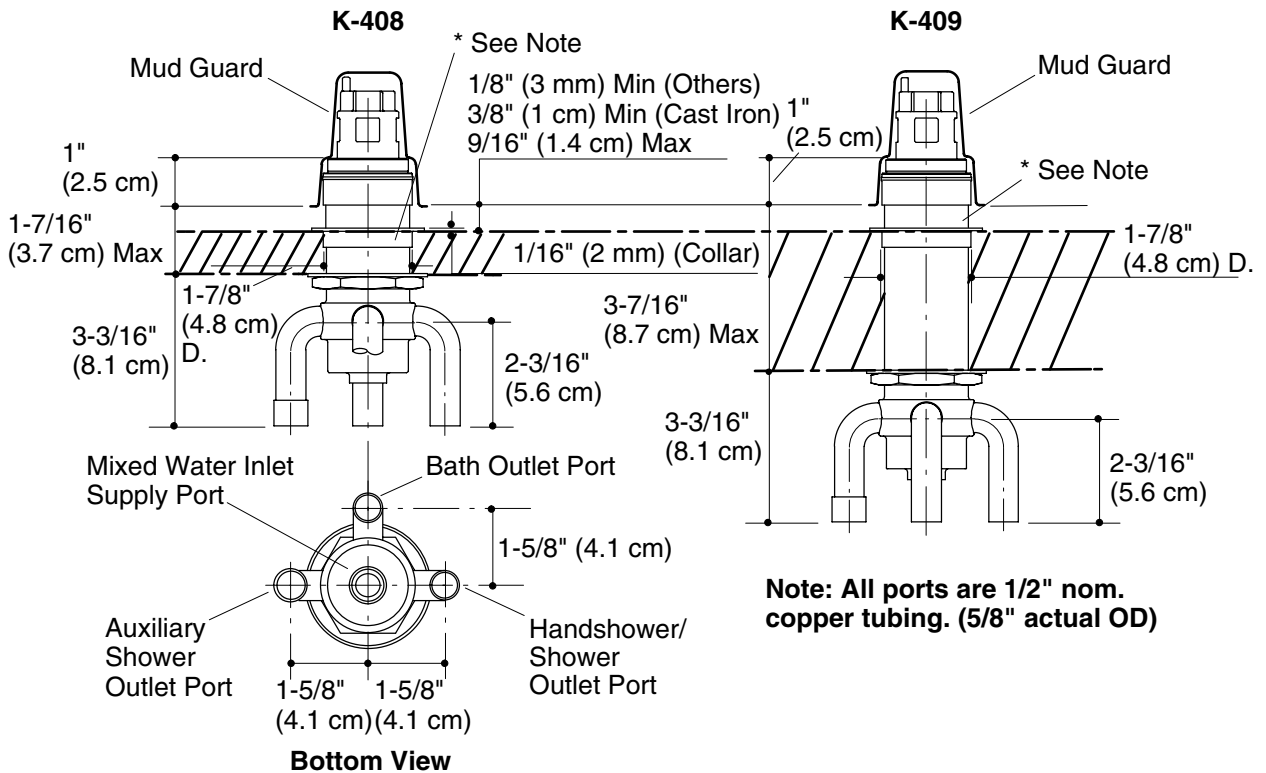
Installation Notes

Bath and handshower outlets required for two-way transfer valve.

Bath, handshower, and auxiliary outlets required for three-way transfer valve.

When used as a two-way transfer valve (bath and handshower), the installer must cap the auxiliary outlet. Do not install spouts with flow restrictors or shower units on the bath outlet.

* For installation on cast iron baths, collar should be installed with flange facing downward. Opening in cast iron must be 1-7/8" (4.8 cm) D. minimum.



Product Diagram

TRANSFER VALVE WITH INTEGRAL CHECK VALVES

Page 2 of 2
86847-4-AC

THE BOLD LOOK
OF **KOHLER**