

Ordering Information

Applicable transfer valve trim:		
Lever handle trim*	K-T9540-4	shown
Round handle trim*	K-T9540-7	shown
*Transfer valve must be ordered to complete faucet.		

Applicable transfer valve only:

Transfer valve bath mount	K-408-K	required**
Transfer valve deck mount	K-409-K	required**

**Required for configuration illustrated.

ADA Lever handle is ADA compliant

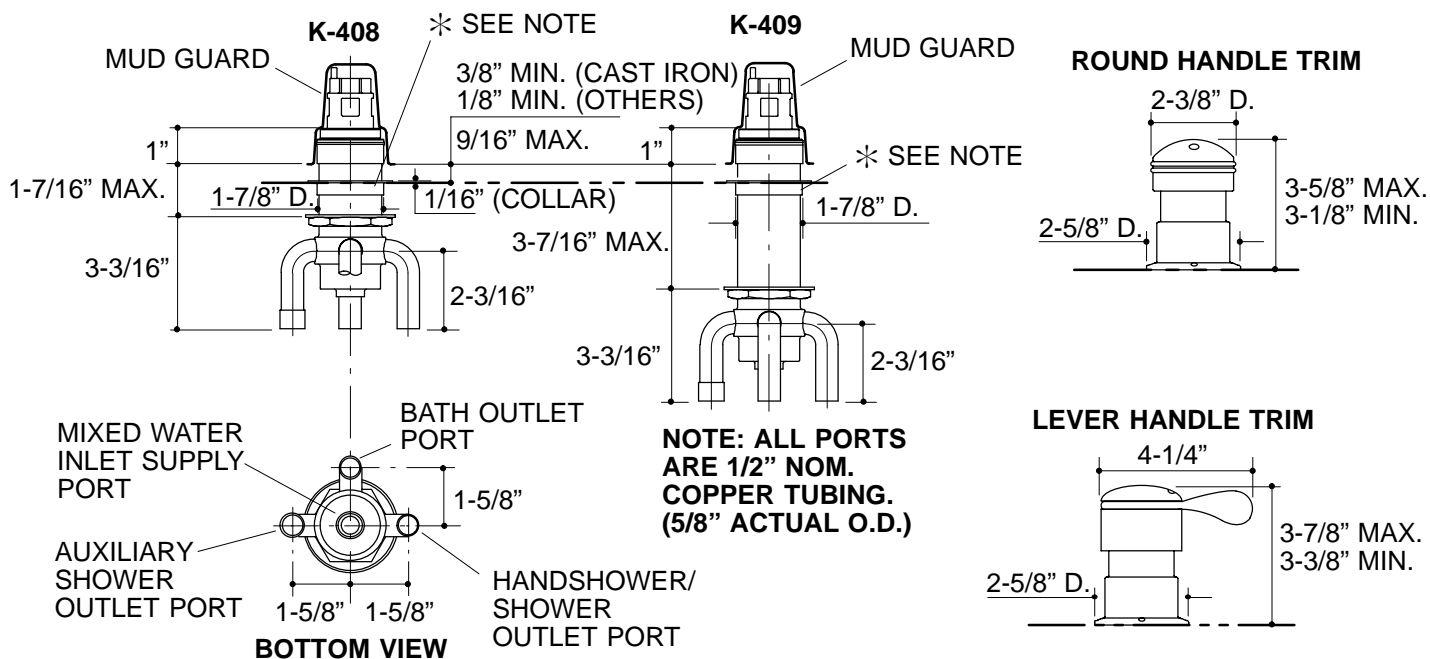
Installation Notes

Bath and handshower outlets required for two-way transfer valve.

Bath, handshower, and auxiliary outlets required for three-way transfer valve.

When used as a two-way transfer valve (bath and handshower), the installer must cap the auxiliary outlet. Do not install spouts with flow restrictors or shower units on the bath outlet.

* For installation on cast iron baths, collar should be installed with flange facing downward. Opening in cast iron must be 1-7/8" D. minimum.



316

K-T9540, K-408-K, K-409-K MasterShower™ Transfer Valve Trim
86840-1-AB

KOHLER®

NOTES: