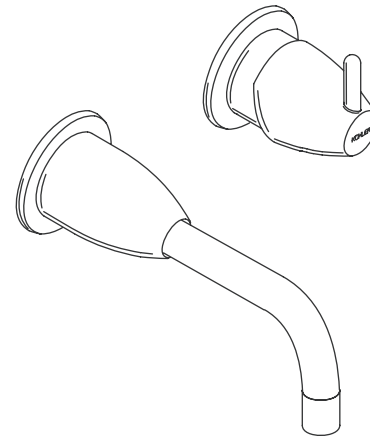


**WALL-MOUNT FAUCET TRIM
K-T197
ALSO K-T199**

ADA

Features

- Brass construction
- Wall-mount installation
- Single-control
- ADA compliant lever handle
- Stationary spout
- Less drain
- Requires single-control ceramic valve [K-307-K]
- Available with a 10-1/4" (26 cm) or 13-1/4" (33.7 cm) spout from wall to center of drain
- 1.5 gallons (5.7 liters) per minute maximum flow rate



Codes/Standards Applicable

Specified model meets or exceeds the following at date of manufacture:

- ADA
- ASME A112.18.1/CSA B125.1
- ICC/ANSI A117.1
- NSF 61
- Energy Policy Act of 1992
- All applicable US Federal and State material regulations

Colors/Finishes

- CP: Polished Chrome
- Other: Refer to Price Book for additional colors/finishes

Accessories

- NA: None applicable

Specified Model

Model	Description	Colors/Finishes	
K-T197	Wall-mount lavatory faucet trim – 10-1/4" (26 cm) spout from wall to center of drain	<input type="checkbox"/> CP	<input type="checkbox"/> Other ____
K-T199	Wall-mount lavatory faucet trim – 13-1/4" (33.7 cm) spout from wall to center of drain	<input type="checkbox"/> CP	<input type="checkbox"/> Other ____

Required Accessories		
K-307-K	Single-control ceramic valve	<input type="checkbox"/> NA



Product Specification

The wall-mount lavatory faucet trim shall be of brass construction. Product shall have a maximum flow rate of 1.5 gallons (5.7 liters) per minute. Product shall be available with a 10-1/4" (26 cm) or 13-1/4" (33.7 cm) spout from wall to center of drain. Product shall feature a lever handle, stationary spout, and single-handle control. Product shall be for wall-mount installation. Product shall be less drain. Product shall require single-control ceramic valve [K-307-K]. Faucet shall be Kohler Model K-T____-____-____ with required single-control ceramic valve K-307-K.

FALLING WATER®

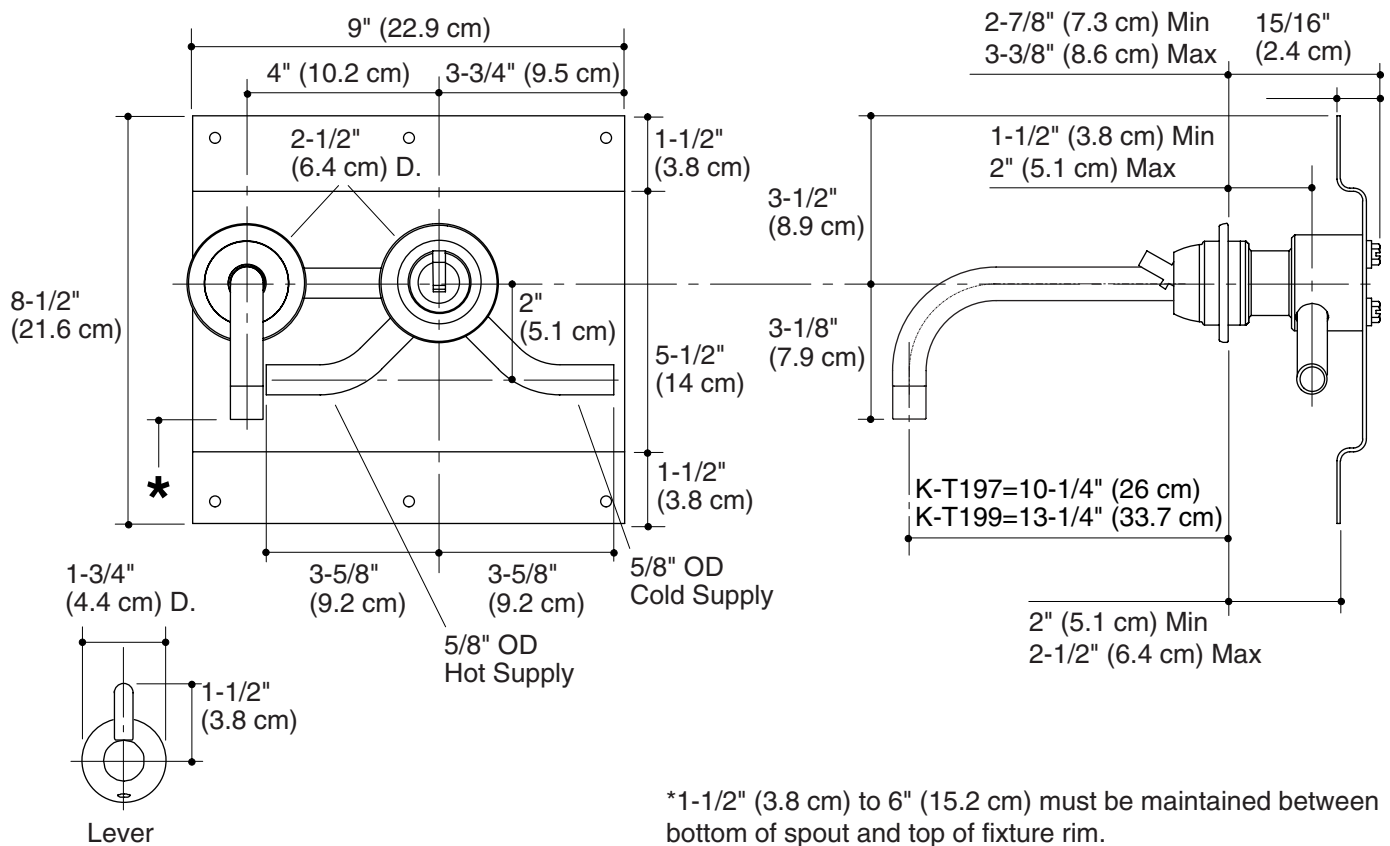
Optional Accessories				
K-7114	Undercounter pop-up lavatory drain with tailpiece OR	<input type="checkbox"/> CP		
K-7124	Touch activated lavatory drain with tailpiece OR	<input type="checkbox"/> CP		
K-7127	Lavatory drain with non-removable metal stopper and tailpiece – 3" rough OR	<input type="checkbox"/> CP		
K-7129	Lavatory grid drain with tailpiece	<input type="checkbox"/> CP	<input type="checkbox"/> Other_____	
_____	Additional flow options are available (refer to the Kohler Price Book)			<input type="checkbox"/> NA

Installation Notes

Install this product according to the installation guide.

Install the wall-mount valve according to the valve installation guide.

One 1-7/8" (4.8 cm) diameter cutout hole is required for the spout. One 1-7/8" (4.8 cm) diameter cutout hole is required for the handle.



Product Diagram