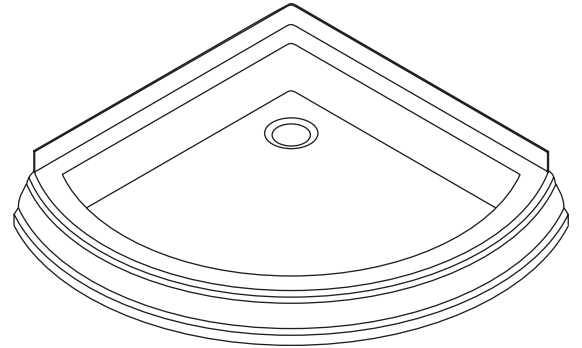


SHOWER RECEPTOR K-9569

Features

- Acrylic
- Reinforced with fiberglass (FRP)
- Molded-in floor pattern
- Round-front
- Rear drain
- 38-5/8" (98.1 cm) x 38-5/8" (98.1 cm)



Codes/Standards Applicable

Specified model meets or exceeds the following:

- ANSI Z124.1.2
- ASTM E162
- ASTM E662
- CSA International
- CSA B45.0
- CSA B45.5

Colors/Finishes

- 0: White
- Other: Refer to Price Book for additional colors/finishes

Accessories

- BH: Bright Brass
- CP: Polished Chrome
- MX: Matte Nickel
- SH: Bright Silver
- PB: Vibrant® Polished Brass
- Other: Refer to Price Book for additional colors/finishes

Specified Model

| Model | Description | Colors/Finishes | |
|--------------------------------|-------------------------------|-----------------------------|---|
| K-9569 | Shower receptor | <input type="checkbox"/> 0 | <input type="checkbox"/> Other_____ |
| Recommended Accessories | | | |
| K-9132 | Shower drain | <input type="checkbox"/> CP | <input type="checkbox"/> PB <input type="checkbox"/> Other_____ |
| Optional Accessories | | | |
| K-705250-L | Arica® round shower enclosure | <input type="checkbox"/> BH | <input type="checkbox"/> MX <input type="checkbox"/> SH |

Product Specification

The round-front shower receptor shall be 38-5/8" (98.1 cm) in length, and 38-5/8" (98.1 cm) in width. The shower receptor shall be made of acrylic reinforced with fiberglass. The shower receptor shall have a molded-in floor pattern, and rear drain. The shower receptor shall be Kohler Model K-9569-_____.

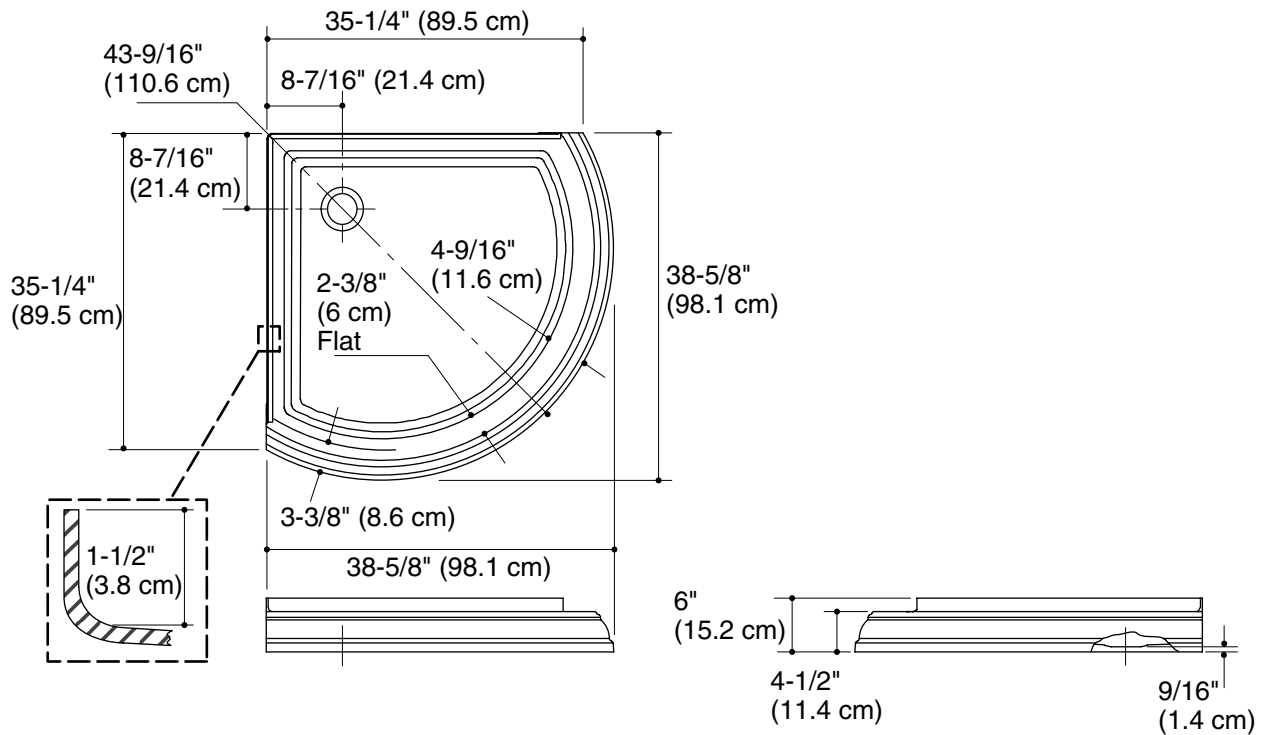
MEMOIRS®

Technical Information

| | |
|---------------|------------------------|
| Fixture: | |
| Weight | 35 lbs (15.9 kg) |
| Drain hole | 3-3/8" (8.6 cm) D. |
| Configuration | one-piece, round-front |

Installation Notes

Install this product according to the installation guide.



Product Diagram